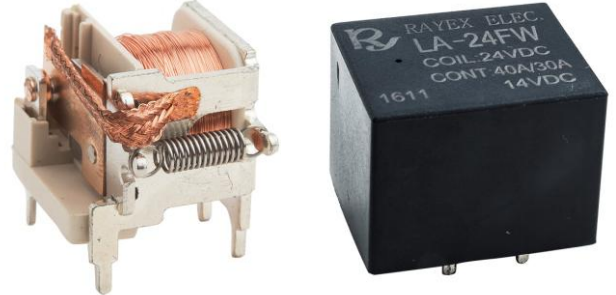


FEATURES

- Open-frame and plastic sealed types
- European and USA footprints are available to meet international standards
- 1 Form A and 1 Form C contact arrangement

Using at automotive, control industrial, Domestic appliances, heavy loads, etc.



ORDERING INFORMATION

LA — 12 F W
 1 2 3 4 5 6

1. Type

2. Contact Arrangement

Nil: 1 Form C

1A: 1 Form A

1B: 1 Form B

2A: 2 Form A

3. Coil Nominal Voltage

4. Pin Position

F : USA footprint

E : European footprint

5. Coil Sensitivity

Nil : 1.6W

S : 1.2W

6. Enclosure

Nil : Open Type

W : Sealed Type

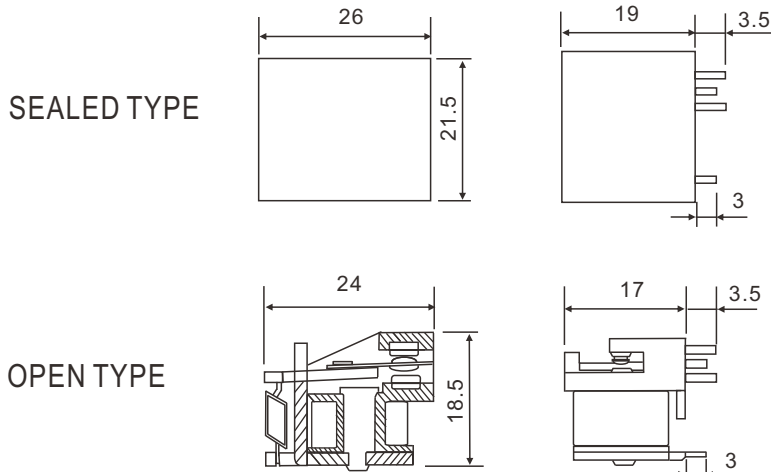
CONTACT RATING

1 Form C	Resistive (Cos.θ = 1)	DC 14V	40A/30A
2 Form A	Resistive (Cos.θ = 1)	DC 14V	2 x 20A

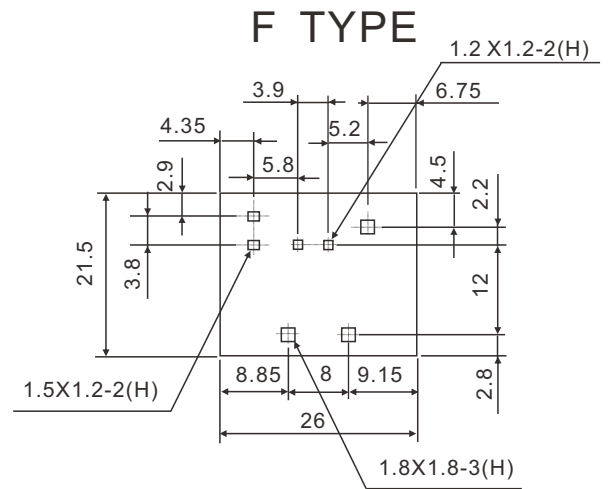
COIL DATA(1.2W,1.6W, at 25°C)

Coil Nominal Voltage (VDC)	Resistance Tol.±10% (Ohms)		Nominal Current (mA)		Maximum Pick Up Voltage (V)		Minimum Drop Out Voltage (V)
	1.6W	1.2W	1.6W	1.2W	1.6W	1.2W	
6	22.5	30	266.7	200	4.2	4.5	0.6
9	50.6	67.5	177.9	133.3	6.3	6.75	0.9
12	90	120	133.3	100	8.4	9.0	1.2
24	360	480	66.7	50	16.8	18.0	2.4

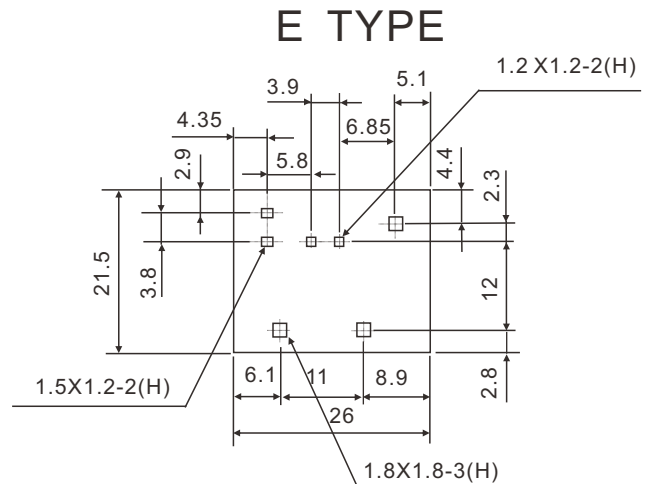
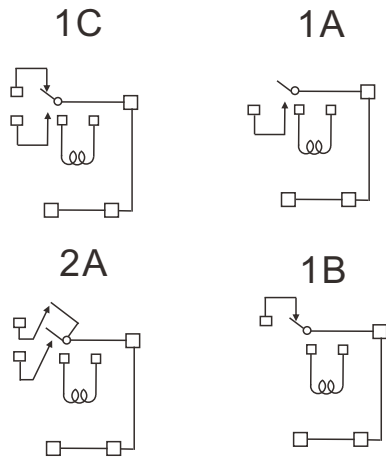
DIMENSIONS(±0.2mm)



P.C.B LAYOUT (BOTTOM VIEW)



WIRING DIAGRAM (BOTTOM VIEW)



GENERAL DATA

Insulation Resistance	100 MΩ Min. (DC 500V)
Dielectric Strength	500 VAC, 50/60Hz between contact.
	1,000 VAC, 50/60Hz between all elements.
Contact Material	Ag Alloy.
Contact Resistance	100 milliohms max. (initial value)
Shock Resistance	Malfunction: 10G(11ms) ; Destructive: 100G(6ms)
Vibration Resistance	Malfunction: 10 to 55 Hz. at Double Amplitude of 1.5 mm
	Destructive: 10 to 55 Hz. at Double Amplitude of 1.5 mm
Operation Time	10 ms max.
Release Time	5 ms max.
Temperature Range	- 30°C ~ + 80°C
Expected Life	With operation rate 30/min.
	Mechanical - 10,000,000 operations min.
	Electrical - 100,000 operations min. at rated load.
Weight	17 grams