



耐腐蚀阀门系列
CORROSION-RESISANT VALVE SERIES

TANA

温州泰纳机械有限公司

Wenzhou Topnotch Machine Co.,Ltd.

隔膜阀型号编制 Express ways of types of diaphragm valves

		1	2	3	4	5	6	7	
1	类型 Type	G		GB标准隔膜阀 GB standard diaphragm valve					
		E G		BS标准隔膜阀 BS standard diaphragm valve					
		S E G		卫生型隔膜阀 Sanitary diaphragm valve					
		A GD		ANSI 标准隔膜阀 ANSI standard diaphragm valve					
2	传动方式 Way of actuator	※		手动 Manual					
		6		气动(往复型) Pneumatic(Reciprocal)					
		6b		气动(常闭型) Pneumatic(Normaly closed)					
		6k		气动(常开型) Pneumatic(Normaly open)					
		9		电动 Electric					
3	连接形式 Type of connection	1		内螺纹 Female screwed					
		2		外螺纹 Male screwed					
		4		法兰 Flanged					
		6		焊接 Weld					
		8		卡箍 Hoop					
4	结构形式 Type of construction	1		堰式 Weir pattern					
		5		直流式 Y globe pattern					
		6		直通式 Straight through pattern					
		9		三通式 Three way pattern					
5	衬里材料 Lining material	W		无衬里 Unlined					
		J		衬胶 Rubber lined					
		Fs		衬氟塑料 Fluorine plastic lined					
		C		衬搪瓷 Enamel lined					
6	公称压力 Nominal pressure	6		0.6MPa					
		10		1.0MPa					
		16		1.6MPa					
7	阀体材质 Material of body	Z		※※铸铁 Cast iron					
		Q		球墨铸铁 Spheroidal graphite cast iron					
		C		※※碳钢 Carbon steel					
		P		不锈钢 Stainless steel					
		S		增强聚丙烯 Reinforced polypropylene					

说明 Illustration:

※省略

※※PN≤1.6MPa的铸铁阀体和PN≥2.5MPa的碳素钢阀体可省略本代号。

例: EG6B41J-10

表示: BS标准隔膜阀, 气动常闭型, 法兰连接, 堰式结构, 衬里材质为硬胶, 公称压力1.0MPa, 阀体材质铸铁。

※Be omitted

※※The code can be abbreviatory for PN≤1.6MPa cast iron body andPN≥2.5MPa carbon steel body.For example: EG6B41J-10

Express: BS standard diaphragm valve, pneumally closed, flanged connection, weir pattern, hard rubber lined, 1.0MPa nominal pressure, cast iron body.

阀体衬里材料及使用范围 Material and scope of application of body lining

材料 Material	代号 Code	适用温度 Suitable temperature	适用介质 Applicable medium
★聚全氟乙丙烯 Fluorinated ethylene propylene	FEP、F46	≤150° C	各种浓度的盐酸、硫酸、氢氟酸以及王水、硝酸、各种有机酸、强碱、强氧化剂或浓稀酸交替、酸碱交替、多种有机溶剂和除熔融碱金属、元素氟及芳香烃类外的其它强腐蚀性介质。 Different density hydrochloric acid, sulfuric acid, hydrofluoric acid, aqua regia, nitric acid, all kinds of organic acid, alkali, alternation of strong acid and weak acid weak acid, alternation of acid and alkali, many kinds of organic solvent and other strong corrosive media except for melt alkali metals, element fluorin and aromatic hydrocarbon.
聚三氟氯乙烯 Polychlorotri fluoroethylene	PCTFE、F3	≤120° C	
聚偏氟乙烯 Polychlorotri fluoride	PVDF、F2	≤120° C	
四氟乙烯 乙烯共聚物 Ethylene tetraflu- oroethylene, Tefzel	TFE/E、F40	≤120° C	
可溶性聚四氟乙烯 Perfluoroalkoxy	PFA	≤180° C	
耐酸搪瓷 Acid- resistant enamel		≤100° C	除氢氟酸、浓磷酸、强碱外的一般腐蚀性介质。 General corrosive media except for hydrofluoric acid, strong phosphoric acid and strong alkali.
增强聚丙烯 Polyolefin	RPP	≤100° C	除浓硝酸、发烟硫酸、氯磺酸及强氧化剂外的太多数有机酸、无机酸、无机溶剂等。 Most of organic acids, mineral acids and inorganic solvents except for strong nitric acid, oleum, chloride sulfonic acid and strong oxidant.
聚烯烃 Polyolefin	PO	≤100° C	适用于腐蚀性气体、液体及固液浆体等流通体介质的输送，对盐酸、稀硫酸、氢氟酸、碱和盐溶液都有良好的耐蚀性，防静电、无毒辣毒。 The product adapts to transport current medium, for example corrosive gas, liquid as well as solid and liquid slurry. It has good corrosion resistance to hydrochloric acid, dilute sulfuric acid, hydrofluoric acid, alkali and salt solution. It has the features of static resistance, innocuity.
铸铁，无衬里 Castiron unlined		≤100° C	非腐蚀性介质 Noncorrosive medium
不锈钢，无衬里 Stainless steel, unlined		≤150° C	一般腐蚀性介质 Usual corrosive medium

隔膜材料及使用范围 Materials and scope of application of diaphragm

材料 Material	代号 Code	适用温度 Suitable temperature	适用介质 Applicable medium
聚全氟乙丙烯 Fluorinated ethylene propylene	FEP	≤120。 C	多种浓度的硫酸、氢氟酸、王水、高温浓硝酸、各类有机酸、强氧化剂、浓稀酸交替、酸碱交替和各种有机溶剂等腐蚀性介质。 Different density sulfuric acid, hydrofluoric acid, aqua regia, high-temperature strong nitric acid, all kinds of organic acid, strong oxidant, alternation of strong acid and weak acid, alternation of acid and alkali, many kinds of organic solvent etc.
可溶性聚四氟乙烯 Perfluoroalkoxy	PFA	≤150。 C	
聚四氟乙烯 Teflon	PTFE	≤180。 C	具有优良的耐蚀、耐热性能、电性能、抗粘性和低摩擦系数。 Also have the good features of corrosion resistance, heat and electric resistance, viscosity resistance and low frictional coefficient.

注： 1、★为本公司基型产品

2、上述适用温度仅供参考，不同的工况条件决定不同的工作温度。

Note: 1、The products with ★ are the basic products of our company.

2、The temperature of application are shown as guide only. The many aspects of conditions the different working temperature.

阀体衬里材料及使用范围 Material and scope of application of body lining

材料 Material	代号 Code	适用温度 Suitable temperature	适用介质 Applicable medium
★硬橡胶 Hard rubber, Ebonite	NR	NR-10° C~85° C	除强氧化剂(如硝酸、铬酸、浓硫酸及过氧化氢等和有机溶剂)外的氢氟酸、50%氟硅酸、盐酸、30%硫酸、50%氢氟酸、85%磷酸、碱、盐类、镀金属溶液、氢氧化钠、氢氧化钾、中性盐水溶液、10%次氯酸钠、湿氯气、氨水、大部分醇类，有机酸及醛类等。 Hydrocyanic acid, 50% fluorosilicic acid, hydrochloric acid, 30% sulfuric acid, 50% hydrofluoric acid, 85% phosphoric acid, alkali, salt, metal-plated solution, sodium hydroxide, potassium hydroxide, neutral salt solution, 10% sodium hypochlorite, humid chlorine, ammonia, alcohol, organic acid and aldehyde except for the strong oxidant (such as nitric acid, chromic acid, strong sulfuric acid and perhydrol and organic solvent).
软橡胶 Soft rubber	BR	BR-10° C~85° C	具有良好的耐磨性能。主要用于50%以下的硫酸、氢氧化钠、氢氧化钾、中性盐溶液及氨液，水泥、粘土、煤渣灰、颗粒状化肥及磨损性较强的固态流体，各种浓度稠粘液等。 Have good abrasion resistance. Be mainly suitable for less than 50% sulfuric acid, sodium hydroxide, potassium hydroxide, neutral salt solution, ammonia, cement, clay, cinder, chemical fertilizer grain, strong abrasive solid-state liquid and slime in all kinds of densities.
丁基胶 Isobutylene- isoprene rubber, butyl rubber	IIR	IIR-10° C~120° C	抗腐蚀、耐磨耗。能耐极大多数的有机酸、碱和氢氧化合物、无机盐及无机酸、元素气体、醇类、醛类、醚类、酮类、酯类等，≤30%硫酸、磷酸、氢氟酸、动物油、植物油、苛性碱和多种酯类。 Be corrosion resistant and abrasion resistant. Be suitable for some organic acid, alkali, hydrate, mineral salt, elementary gas, alcohol, aldehyde, aether, ketone, ester, ≤30% sulfuric acid, phosphoric acid, hydrofluoric acid, animal oil, plant oil, corrosive alkali and ester.
氯丁胶 Neoprene rubber	CR	CR-10° C~105° C	动物油、植物油和无机润滑油及pH值变化范围很大的腐蚀性泥浆，耐磨性好。 Animal oil, plant oil, inorganic lube, corrosive slurry with large change scope of PH value. Good abrasion resistance.
铸铁，无衬里 Cast iron, unlined		≤100° C	非腐蚀性介质 Noncorrosive medium
不锈钢，无衬里 Stainless steel, unlined		≤150° C	一般腐蚀性介质 Usual corrosive medium

注：1、★为本公司基型产品

2、上述适用温度仅供参考，不同的工况条件决定不同的工作温度。

Note: 1、The products with ★ are the basic products of our company.

2、The temperature of application are shown as guide only. The many aspects of conditions the different working temperature.

隔膜材料及使用范围Material and scope of application of body lining

材料 Material	代号 Code	适用温度 Suitable temperature	适用介质 Applicable medium
丁基胶 (B级) Isobutylene- isoprene rubber	IIR	≤120 °C	除 >75%硫酸、>20%盐酸、<60%氢氟酸、>85磷酸、苛性碱和多种酯类等。 Except for >75% sulfuric acid, >20% hydrochloric acid, <60% hydrofluoric acid, >85phosphoric acid, corrosive alkali and ester.
★天然胶 (Q级) Natural rubber	NR	≤85 °C	净化水、无机盐、释放无机酸等。 Purified water, mineral salt and diluent mineral acid etc.
三元乙丙胶 Ethylene- propylenediene meyhylene, Vistalon	EPDM	≤120 °C	具有天然胶相似的耐酸、碱性能, 用于低压蒸汽、热水、冷水性能极为良好。 Have the acid resistance and alkali resistance like the natural rubber and be suitable for application in the low-pressure steam, hot water and cold water.
氯丁胶 Neoprene rubber	CR	≤85 °C	耐酸、耐碱、耐油和非极性溶剂。耐磨性优于天然胶。 Acid-resistant and alkali-resistant and the non-polar solvent and the abrasion resistance are better than the natural rubber.
丁腈胶 Nitrile, Buna -N	NBR	≤85 °C	耐油耐磨, 其耐酸性能与天然胶相似。 Oil-resistant and abrasion resistant and the acid resistance is the same as the natural rubber.
海帕隆 Hypalon	CSPE	≤120 °C	具有优良的耐臭氧、耐大气老化、耐酸碱、耐氧化剂及多种化学药品, 耐燃、耐热性, 但不耐石油类和芳烃。 The product has the features of ozone resitants, atmospheric aging resistance, acid and alkali resistance, oxidant and many kinds of chemical medicine resistance, and burning resistance, heat resistance but no resistance to petroleum and arene.
氟橡胶 Fluoroelastomer, Viton	FKM	≤150 °C	具有类似氟塑料的耐腐蚀性能, 在浓酸、强氧化性能中极稳定, 在有机溶剂和碱溶液中稳定。 Have the corrosive resistance like the flouroplastic. Be very stable in the strong acid and strong oxidant and be stable in the organic solvent and alkali solvent.
硅橡胶 Silicone rubber	SI	≤200 °C	耐高温, 电绝缘性能优良, 耐磨性良好, 能耐稀酸、稀碱、盐、水腐蚀, 不耐汽油、煤油等石油产品腐蚀。 Be heatproof, excellent electricity insulation capability and wear-able; may resist corrosion of dilute acid, dilute alkali, salt and water, can't resist corrosion of petrolic products such as gasoline, coal oil etc.

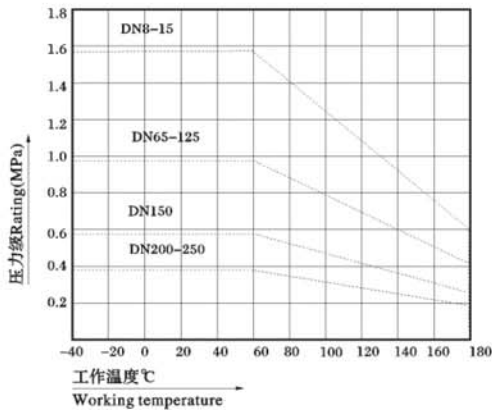
注: 1、★为本公司基型产品

2、上述适用温度仅供参考, 不同的工况条件决定不同的工作温度。

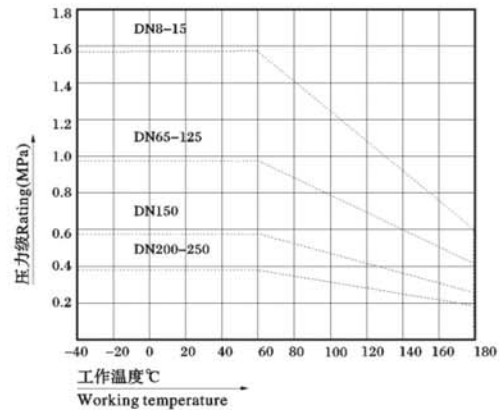
Note: 1、The products with ★ are the basic products of our company.

2、The temperature of application are shown as guide only. The many aspects of service conditions the different working temperature.

衬氟塑料隔膜阀工作温度与压力的关系图
Relation diagram between working temperature and pressure of the rubber lined diaphragm valve



衬胶隔膜阀工作温度与压力的关系图
Relation diagram between working temperature and pressure of the rubber lined diaphragm valve



结构特点 Features:

隔膜阀是一种特殊形式的截断阀:

- ◆ 1. 弹性密封的开闭件, 确保没有内漏;
- ◆ 2. 流线型的流道, 使得压力损失小;
- ◆ 3. 没有填料函, 因此没有外漏;
- ◆ 4. 阀体与盖被中间隔膜隔开, 使得隔膜上方的阀盖, 阀杆等零件不受介质侵蚀;
- ◆ 5. 隔膜可更换, 维护费用低;
- ◆ 6. 衬里材料的多样性, 可适用于各种介质, 并具有强度高、耐腐蚀性能好的特点。

The diaphragm valve is an especial break valve:

- 1. The elastic sealed open and close element can avoid the inner leak.
- 2. The clipper-built interval channel can keep the small loss of pressure.
- 3. It hasn't the stuffing box, so it doesn't leak.
- 4. The body and bonnet are separated by the middle diaphragm in order that the bonnet and stem over the diaphragm aren't corroded by the medium.
- 5. The diaphragm is changeable and the expense of main tence is low.
- 6. The various lining materials can be suitable for kinds of media and feature a high strength and a prominent performance of corrosion resistance.

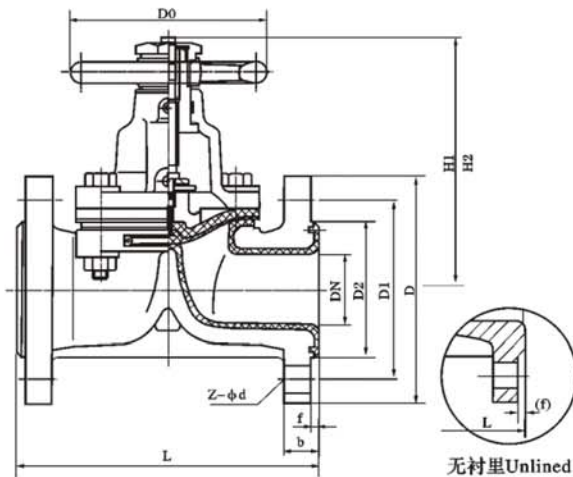
选配附件 Equipped accessories:

气动隔膜阀可根据需要配置以下附件

- ◆ 1. 反馈信号装置: 可将阀门启闭状况以开关量信号反馈到控制室。
- ◆ 2. 限位装置: 可以限制阀门的最大开度, 以实现定流量调节。
- ◆ 3. 阀门定位器
电-气阀门定位器: 以输入4~20mA的电信号来控制阀门的启、闭量, 以实现流量调节。
气-气阀门定位器: 以输入0.02~0.10MPa的信号气源来控制阀门的启、闭量, 以实现流量调节。
- ◆ 4. 阀位传感器: 可使阀门在任意位置的启闭状况以4~20mA的电信号输出。
- ◆ 5. 减压阀: 可将气源压力调节到所需的压力。
- ◆ 6. 电磁阀: 由电信号不控制气动阀门操作气源的转换, 以实现阀门启闭动作。
- ◆ 7. 也可根据需要, 配置其它附件。

The pneumatic diaphragm valve can be equipped with the following accessories according to the needs:

- 1. Signal feedback device: feed back the open or closed state to the control room by the open or closed degreesignal.
- 2. Limit device: can limit the maximal aperture of valve in order to realize the flow control.
- 3. Localizer:
Localizer of electric-pneumatic valve:input the signal of 4~20mA current to control the open and closed degree in order to realize the flow control.
Localizer of pneumatic-pneumatic valve: input the signal of 0.02~0.10MPa air pressure to control the open and closed degree in order to realize the flow control.
- 4. Sensor of the position of valve: can output the open and closed state of valve in any position by the signal of 4~20mA current.
- 5. Pressure reducing valve: can regulate the air pressure according to the needs.
- 6. Electromagnetic valve: can control the change of ariflow of pneumatic valve by the signal of current in order to open and close the valve.
- 7. The other accessories can be equipped according to the needs.



无衬里Unlined

技术规范 Technical specification

设计与制造 Design and manufacture: GB12239
结构长度 Face to face dimension: GB12221、JB1688
法兰连接尺寸 Connection dimension of flange: GB4216、JB78

部件列表 Component list:

1	阀体	Body
2	阀体衬里	Body lining
3	隔膜	Diaphragm
4	阀瓣	Disc
5	阀盖	Bonnet
6	阀杆	Stem
7	阀杆螺母	Stem nut
8	手轮	Handwheel
9	锁紧螺母	Lock nut

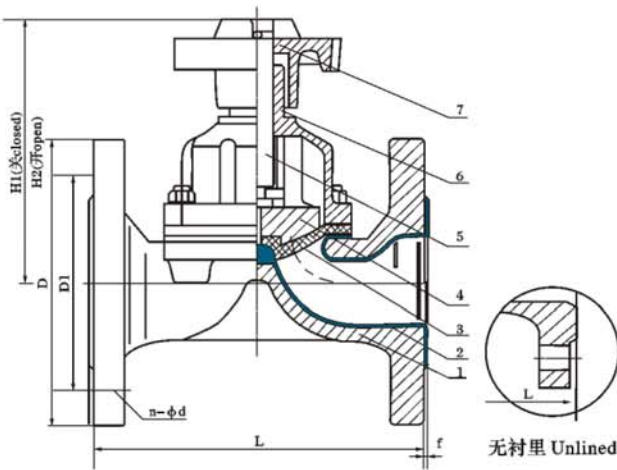
部件材料 Component Materials:

阀体: 铸铁、球墨铸铁、碳钢、不锈钢
阀盖: 铸铁、球墨铸铁、碳钢、不锈钢
衬里: 无衬里、氟塑料、橡胶
隔膜: 氟塑料、橡胶
阀瓣: 铸铁、不锈钢
阀杆: 碳钢、不锈钢
手轮: 铸铁

Body: Cast iron, spheroidal graphite cast iron, carbon steel, stainless steel
Bonnet: Cast iron, spheroidal graphite cast iron, carbon steel, stainless steel
Lining: Unlined, fluorine plastic, rubber
Diaphragm: Fluorine plastic, rubber
Disc: Cast iron, carbon steel
Cylinder: Spheroidal graphite cast iron
Piston: Carbon iron, stainless steel
Stem: Carbon steel, stainless steel
Handwheel: Cast iron

主要外形尺寸及重量 Main dimensions and weight

公称通径 Nominal DN		公称压力 Mpa Nominal pressure	工作压力 Mpa Working pressure	L mm	D mm	D1 mm	N-φd mm	F mm	H1 mm	H2 mm	D0 mm	重量 Weight kg/kilos		
mm	inch													
15	1/2"	1.0	1.0	125	95	65	4-14	2	105	116	120	4.5		
20	3/4"			135	105	75	4-14	2	117	128	120	4.5		
25	1"			145	115	85	4-18	2	121	135	120	5.3		
32	1 1/4"			160	135	100	4-18	2	132	150	120	7.5		
40	1 1/2"			180	145	110	4-18	3	156	176	140	10		
50	2"			210	160	125	4-18	3	169	195	140	13		
65	2 1/2"			250	180	145	4-18	3	200	236	200	20		
80	3"			300	195	160	4-18	3	216	256	200	25.5		
100	4"			350	215	180	8-18	3	270	322	280	38		
125	5"			400	245	210	8-18	3	315	380	320	62		
150	6"	0.6	0.6	460	280	240	8-22	3	378	458	320	85		
200	8"			570	335	295	8-22	3	518	638	400	150		
250	10"			680	390	350	12-22	4	583	720	500	249		
300	12"			790	440	400	12-22	4	698	778	500	365		
350	14"			0.4	0.4	900	500	460	16-22	4	723	883	500	420
400	16"					1000	560	515	16-22	4	868	1078	640	630



技术规范 Technical specification

设计与制造 Design and manufacture: Bs5156
 结构长度 Face to face dimension: BS5156
 法兰连接尺寸 Connection dimension of flange: BS4504、DIN2532、JIS B2212、ANSI B16.1 ISO2004

部件列表 Component list:

1	阀体	Body
2	阀体衬里	Body lining
3	隔膜	Diaphragm
4	阀瓣	Disc
5	阀杆	Stem
6	阀盖	Bonnet
7	手轮	Handwheel

部件材料 Component Materials:

阀体: 铸铁、球墨铸铁、碳钢、不锈钢
 阀盖: 铸铁、球墨铸铁、碳钢、不锈钢
 衬里: 无衬里、氟塑料、橡胶
 隔膜: 氟塑料、橡胶
 阀瓣: 铸铁
 阀杆: 碳钢、不锈钢
 手轮: 铸铁

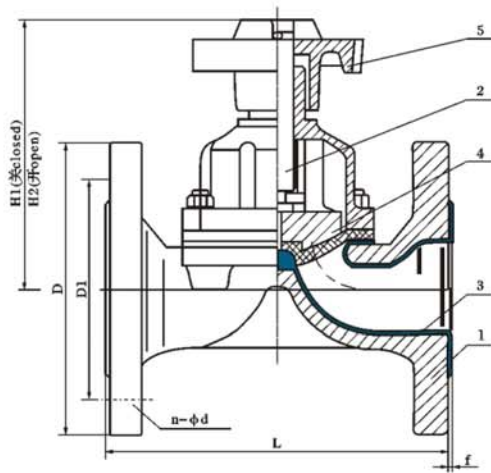
Body: Cast iron, spheroidal graphite cast iron, carbon steel, stainless steel
 Bonnet: Cast iron, spheroidal graphite cast iron, carbon steel, stainless steel
 Lining: Unlined, fluorine plastic
 Diaphragm: Fluorine plastic
 Disc: Cast iron
 Stem: Carbon steel, stainless steel
 Handwheel: Cast iron

主要外形尺寸及重量 Main dimensions and weight

公称通径 Nominal DN		公称压力 Mpa Nominal pressure	工作压力 Mpa Working pressure	L mm	D mm	D1 mm	N-φd mm	F mm	H1 mm	H2 mm	D0 mm	重量 Weight kg/kilos
mm	inch											
15	1/2"	1.6	1.6	108	95	65	4-14	2	90	99	66	2
20	3/4"			117	105	75	4-14	2	93	103	66	3
25	1"			127	115	85	4-14	2	100	112	66	4
32	1 1/4"			146	140	100	4-18	2	127	144	96	6.5
40	1 1/2"			159	150	110	4-18	2	136	156	96	7.5
50	2"			190	165	125	4-18	2	151	177	96	10
65	2 1/2"			216	185	145	4-18	2	183	213	165	16
80	3"	1.0	1.0	254	200	160	8-18	2	190	230	230	23.5
100	4"			305	220	180	8-18	2	242	285	280	34
125	5"			356	250	210	8-18	3	285	648	280	44
150	6"			406	285	240	8-22	3	353	431	368	67.5
200	8"	1.0	0.6	521	340	295	8-22	3	445	537	483	141.5
250	10"			635	395	350	12-22	5	598	734	500	229
300	12"			749	445	400	12-22	5	689	778	560	321
350	14"	0.4	0.4	787	505	460	16-22	5	723	883	560	360
400	16"			914	565	515	16-26	5	868	1078	640	584

AG41J/F₄₆ 美标衬胶、衬氟隔膜阀
ANSI Rubber lined, fluorine diaphragm valve

TANA



技术规范 Technical specification

设计规范 Design spec: GB12239 BS 5156
结构长度 Face to face: GB12221 BS 5156
连接法兰 Flange ends: ANSI B1615
试验与检验 Test and inspection: BS 13927
产品标识 Marking: BS 12220
供货规范 Supply: BS 7928

部件列表 Component list:

1	阀体/阀盖	Body/bonnet
2	阀瓣/阀杆	Disc/Stem
3	衬里/阀座	Lining/Seat
4	隔膜	Diaphragm
5	手轮	Hand wheel

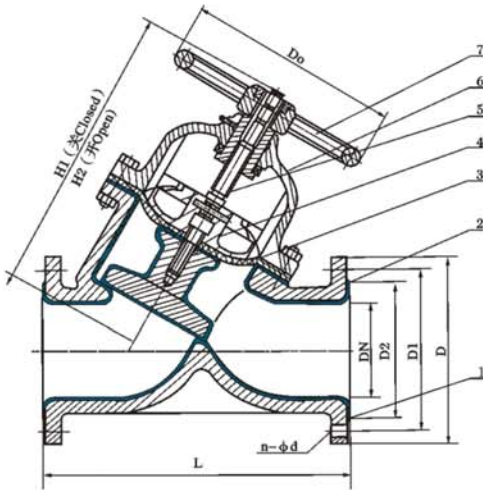
部件材料 Component Materials:

阀体: 铸铁、球墨铸铁、碳钢、不锈钢
阀盖: 铸铁、球墨铸铁、碳钢、不锈钢
衬里: 无衬里、氟塑料、橡胶
隔膜: 氟塑料、橡胶
阀瓣: 铸铁
阀杆: 碳钢、不锈钢
手轮: 铸铁

Body: Cast iron, spheroidal graphite cast iron, carbon steel, stainless steel
Bonnet: Cast iron, spheroidal graphite cast iron, carbon steel, stainless steel
Lining: Unlined, fluorine plastic
Diaphragm: Fluorine plastic
Disc: Cast iron
Stem: Carbon steel, stainless steel
Handwheel: Cast iron

主要外形尺寸及重量 Main dimensions and weight

公称通径 Nominal DN		公称压力 Nominal pressure Mpa	工作压力 Working pressure Mpa	L长	L短	D	D1	N-φd	F	H1	H2	D0	重量 Weight kg/kilos
mm	inch												
15	1/2"	150Lb	1.6	125	112	89	60.5	4-15	2	90	99	66	3.8
20	3/4"			135	121	98	70	4-15	2	93	103	66	4
25	1"			145	131	108	79.5	4-15	2	100	112	66	5
32	1 1/4"			160	150	117	89	4-15	2	127	144	96	9
40	1 1/2"			180	163	127	98.5	4-15	2	136	156	96	10
50	2"			210	194	152	120.5	4-19	2	151	177	96	12.5
65	2 1/2"			250	220	178	139.5	4-19	2	183	213	165	19
80	3"	150Lb	1.0	300	258	190	152.5	4-19	2	190	230	230	24
100	4"			350	309	229	190.5	4-19	2	242	285	280	39.5
125	5"			400	362	254	216	8-22	3	285	648	280	60
150	6"			460	412	279	241.5	8-22	3	353	431	368	79
200	8"			570	529	343	298.5	8-22	3	445	537	483	149.5
250	10"			680	639	406	362	12-25	5	598	734	500	260
300	12"			790	749	483	431.8	12-25	5	689	778	560	370
350	14"	150Lb	0.4	900	787	533	476.3	12-28	5	723	883	560	430
400	16"			1000	914	597	539.8	16-28	5	868	1078	640	620



技术规范 Technical specification

设计与制造 Design and manufacture: Gb12239
 结构长度 Face to face dimension: GB12221、JB1688
 法兰连接尺寸 Connection dimension of flange: GB4216、JB78

部件列表 Component list:

1	阀体	Body
2	阀体衬里	Body lining
3	隔膜	Diaphragm
4	阀瓣	Disc
5	阀杆	Stem
6	阀盖	Bonnet
7	手轮	Handwheel

部件材料 Component Materials:

阀体: 铸铁、球墨铸铁、碳钢、不锈钢
 阀盖: 铸铁、球墨铸铁、碳钢、不锈钢
 衬里: 无衬里、橡胶
 隔膜: 橡胶
 阀瓣: 铸铁
 阀杆: 碳钢、不锈钢
 手轮: 铸铁

Body: Cast iron, spheroidal graphite cast iron, carbon steel, stainless steel
 Bonnet: Cast iron, spheroidal graphite cast iron, carbon steel, stainless steel
 Lining: Unlined, rubber
 Diaphragm: Rubber
 Disc: Cast iron
 Stem: Carbon steel, stainless steel
 Handwheel: Cast iron

主要外形尺寸及重量 Main dimensions and weight

公称通径 Nominal DN		公称压力 Mpa Nominal pressure	工作压力 Mpa Working pressure	L mm	D mm	D1 mm	N-φd mm	F mm	H1 mm	H2 mm	D0 mm	重量 Weight kg/kilos
mm	inch											
25	1"	0.6	0.6	145	115	85	4-18	2	121	135	120	5.5
32	1 1/4"			160	140	100	4-18	2	132	150	120	9.5
40	1 1/2"			180	145	110	4-18	3	156	176	140	11
50	2"			210	160	125	4-18	3	169	195	140	15
65	2 1/2"			250	180	145	4-18	3	200	236	200	20
80	3"			300	195	160	4-18	3	216	256	200	29
100	4"			350	215	180	8-18	3	270	322	280	42
125	5"			400	245	210	8-18	3	315	380	320	68
150	6"			460	280	240	8-22	3	378	458	320	83
200	8"			570	335	295	8-22	3	518	638	400	150
250	10"	0.4	0.4	680	390	350	12-22	4	583	720	500	236.5
300	12"			790	440	400	12-22	4	698	778	500	330

EG46J、G46J直通式衬胶隔膜阀
Through way rubber-lined diaphragm valves

TANA



技术规范 Technical specification

设计与制造 Design and manufacture: Bs5156
结构长度 Face to face dimension: Bs5156
法兰连接尺寸 Connection dimension of flange: BS4504、DIN2532、JIS B2212、ANSI B16.1 ISO2004

部件列表 Component list:

1	阀体	Body
2	阀体衬里	Body lining
3	隔膜	Diaphragm
4	阀瓣	Disc
5	阀杆	Stem
6	阀盖	Bonnet
7	手轮	Handwheel

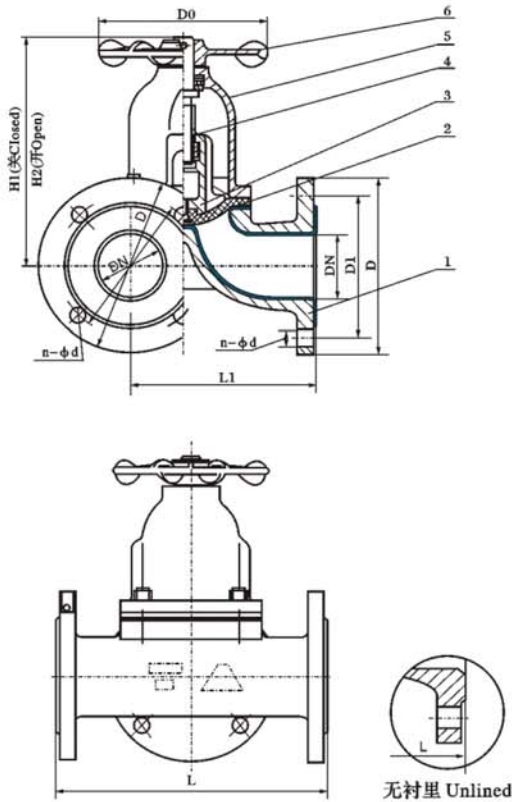
部件材料 Component Materials:

阀体: 铸铁、球墨铸铁、碳钢、不锈钢
阀盖: 铸铁、球墨铸铁、碳钢、不锈钢
衬里: 无衬里、橡胶
隔膜: 橡胶
阀瓣: 铸铁
阀杆: 碳钢、不锈钢
手轮: 铸铁

Body: Cast iron, spheroidal graphite cast iron, carbon steel, stainless steel
Bonnet: Cast iron, spheroidal graphite cast iron, carbon steel, stainless steel
Lining: Unlined, rubber
Diaphragm: Rubber
Disc: Cast iron
Stem: Carbon steel, stainless steel
Handwheel: Cast iron

主要外形尺寸及重量 Main dimensions and weight

公称通径 Nominal DN		公称压力 Mpa Nominal pressure	工作压力 Mpa Working pressure	L mm	D mm	D1 mm	N-φd mm	F mm	H1 mm	H2 mm	D0 mm	重量 Weight kg/kilos
mm	inch											
15	1/2"	1.0	1.0	108	95	65	4-14	2	90	99	66	2
20	3/4"			117	105	75	4-14	2	93	103	66	3
25	1"			127	115	85	4-14	2	100	112	66	4
32	1 1/4"			146	140	100	4-18	2	127	144	96	6.5
40	1 1/2"			159	150	110	4-18	2	136	156	96	7.5
50	2"			190	165	125	4-18	2	151	177	96	10
65	2 1/2"			216	185	145	4-18	2	183	213	165	16
80	3"			254	200	160	8-18	2	190	230	230	23.5
100	4"			305	220	180	8-18	2	242	285	280	34
125	5"			356	250	210	8-18	3	285	648	280	44
150	6"	0.6	0.6	406	285	240	8-22	3	353	431	368	67.5
200	8"			521	340	295	8-22	3	445	537	483	141.5
250	10"	0.4	0.4	635	395	350	12-22	5	598	734	500	229
300	12"			749	445	400	12-22	5	689	778	560	321
350	14"			787	505	460	16-22	5	723	883	560	360
400	16"	0.25	0.25	914	565	515	16-26	5	868	1078	640	584



技术规范 Technical specification

设计与制造 Design and manufacture: Gb12239
 结构长度 Face to face dimension: GB12221、JB1688
 法兰连接尺寸 Connection dimension of flange: GB4216、JB78

部件列表 Component list:

1	阀体	Body
2	隔膜	Diaphragm
3	阀瓣	Disc
4	阀杆	Stem
5	阀盖	Bonnet
6	手轮	Handwheel

部件材料 Component Materials:

阀体: 铸铁、球墨铸铁、碳钢、不锈钢
 阀盖: 铸铁、球墨铸铁、碳钢、不锈钢
 衬里: 无衬里、橡胶
 隔膜: 橡胶、氟塑料
 阀瓣: 铸铁
 阀杆: 碳钢、不锈钢
 手轮: 铸铁

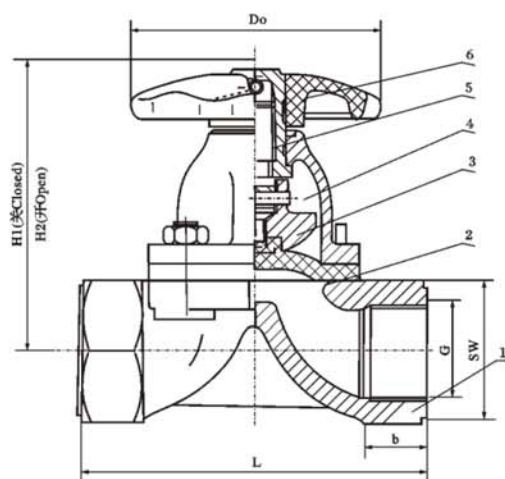
Body: Cast iron, spheroidal graphite cast iron, carbon steel, stainless steel
 Bonnet: Cast iron, spheroidal graphite cast iron, carbon steel, stainless steel
 Lining: Unlined, rubber
 Diaphragm: Rubber
 Disc: Cast iron
 Stem: Carbon steel, stainless steel
 Handwheel: Cast iron

主要外形尺寸及重量 Main dimensions and weight

公称通径 Nominal DN		公称压力 Mpa Nominal pressure	工作压力 Mpa Working pressure	L mm	D mm	D1 mm	N-φd mm	H1 mm	H2 mm	D0 mm	重量 Weight kg/kilos
mm	inch										
25	1"	1.0	1.0	160	96	115	4-14	108	120	66	5.5
32	1 1/4"			180	118	135	4-18	138	157	96	8.5
40	1 1/2"			200	135	145	4-18	147	167	96	12.5
50	2"			230	150	160	4-18	167	192	96	17
65	2 1/2"			290	182	180	4-18	194	229	165	24.5
80	3"			310	210	195	4-18	212	252	230	33.5

EG11W 内螺纹隔膜阀 Diaphragm Valve With Screwed Ends

TANA



技术规范 Technical specification

设计与制造 Design and manufacture: BS12239
 结构长度 Face to face dimension: GB/T15188.3(N8)
 法兰连接尺寸 Connection dimension of flange: BS4504

部件列表 Component list:

1	阀体	Body
2	隔膜	Diaphragm
3	阀瓣	Disc
4	阀盖	Bonnet
5	阀杆	Stem
6	手轮	Handwheel

部件材料 Component Materials:

阀体: 铸铁、球墨铸铁、碳钢、不锈钢
 阀盖: 铸铁、球墨铸铁、碳钢、不锈钢
 隔膜: 氟塑料、橡胶
 阀瓣: 铸铁、不锈钢
 阀杆: 碳钢、不锈钢
 手轮: 铸铁

Body: Cast iron, spheroidal graphite cast iron, carbon steel, stainless steel
 Bonnet: Cast iron, spheroidal graphite cast iron, carbon steel, stainless steel
 Diaphragm: Rubber
 Disc: Cast iron, carbon steel
 Stem: Carbon steel, stainless steel
 Handwheel: Cast iron

主要外形尺寸及重量 Main dimensions and weight

公称通径 Nominal DN		公称压力 Mpa Nominal pressure	工作压力 Mpa Working pressure	L mm	SW mm	B mm	H1 mm	H2 mm	D0 mm	重量 Weight kg/kilos
mm	inch									
8	1/8"	1.6	1.6	50	20	-	60	66	45	0.6
10	1/4"			50	24	-			45	0.7
15	1/2"			65	38	8	84	92	50	0.8
20	3/4"			85	40	12	93	103	50	1.1
25	1"			110	48	18	106	120	66	1.9
32	1 1/4"			120	58	18	137	156	96	3.3
40	1 1/2"			140	69	18	142	163	96	4.2
50	2"			165	82	20	167	192	96	5.8
65	2 1/2"			1.0	1.0	203	90	30	190	225
80	3"	254	105			32	206	246	230	16.2

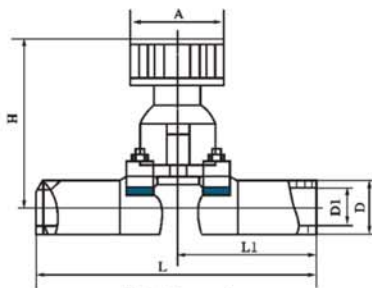


图1 Figure 1

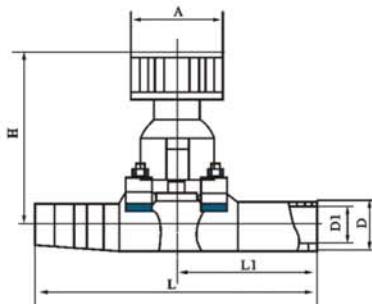


图2 Figure 2

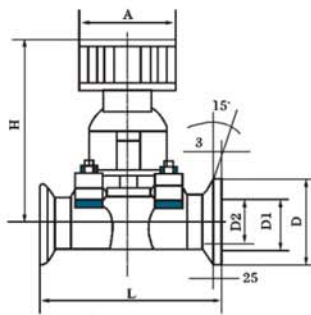


图3 Figure 3

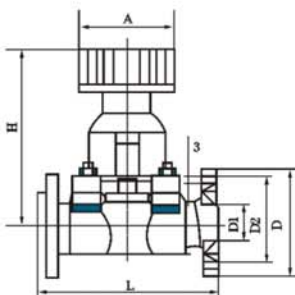


图4 Figure 4

技术规范 Technical specification

设计与制造 Design and manufacture: Q/YFC

结构长度 Face to face dimension: Q/YFC

法兰连接尺寸 Connection dimension of flange: GB6070、GB4982、Jb919

部件列表 Component list:

阀体: 碳钢、不锈钢

隔膜: 丁腈橡胶、氟橡胶

阀杆: 不锈钢

Body: Carbon steel, stainless steel

Diaphragm: Nitric-butadiene rubber, Fluoroelastomer

Stem: Stainless steel

I 型连接管焊接 (图1)

Connecting pipe welded of model I (Figure1)

型号 Model	DN mm	inch	D mm	H mm	A mm	L mm	L1 mm
GM-10C-H(I)	10	1/4"	19	80	55	240	120
GM-25C-H(I)	25	1"	32	105	80	240	120
GM-40C-H	40	1 1/2"	45	133	100	240	120
GM-50C-H	50	2"	57	157	100	240	120
GM-10D-H(I)	10	1/4"	19	77.5	50	150	150
GM-10D-H(I)	25	1"	32	105	60	75	75

II 型连接管焊接 (图2)

Connecting pipe welded of model II (Figure2)

型号 Model	DN mm	inch	D mm	H mm	A mm	L mm	L1 mm
GM-10C-H(II)	10	1/4"	19	80	55	240	120
GM-25C-H(II)	25	1"	32	105	80	240	120
GM-10D-H(II)	10	1/4"	19	77.5	50	150	75
GM-10D-H(II)	25	1"	32	105	66	75	75

快卸法兰连接 (图3)

Quick unload flanged connecting (Figure3)

型号 Model	DN mm	inch	D mm	H mm	A mm	L mm	L1 mm
GM-10C-H(I)	10	1/4"	19	80	55	240	120
GM-25C-H(I)	25	1"	32	105	80	240	120
GM-40C-H	40	1 1/2"	45	133	100	240	120
GM-50C-H	50	2"	57	157	100	240	120
GM-10D-H(I)	10	1/4"	19	77.5	50	150	150
GM-10D-H(I)	25	1"	32	105	60	75	75

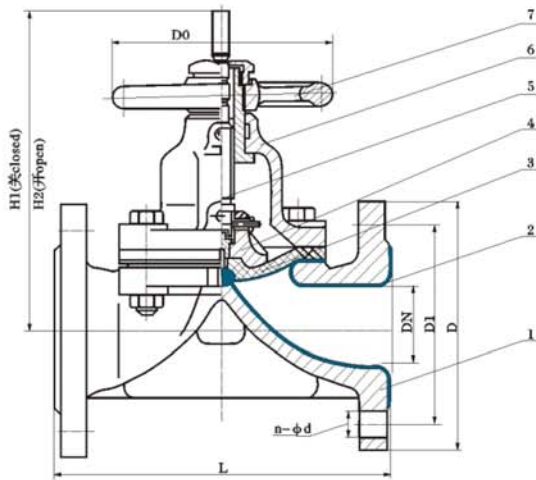
活套法兰连接 (图4)

Lap joint flanged connecting (Figure4)

型号 Model	DN mm	inch	D mm	H mm	A mm	L mm	n-φc mm
GM-10C	10	1/4"	46	36	80	75	4-6
GM-25C	25	1"	70	55	105	120	4-7
GM-40C	40	1 1/2"	100	80	133	150	4-9
GM-50C	50	2"	110	90	157	180	4-9

G41C 堰式搪瓷隔膜阀
Weir pattern enamel lined diaphragm valve

TANA



技术规范 Technical specification

设计与制造 Design and manufacture: GB12239
结构长度 Face to face dimension: GB12221、JB1688
法兰连接尺寸 Connection dimension of flange: GB4216、JB78

部件列表 Component list:

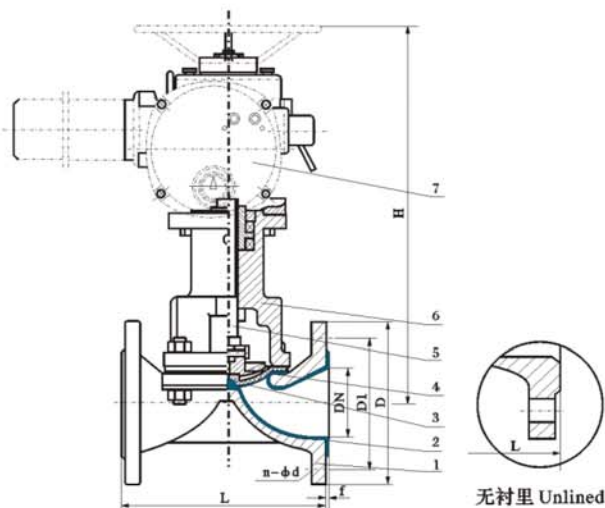
1	阀体	Body
2	阀体衬里	Body lining
3	隔膜	Diaphragm
4	阀瓣	Disc
5	阀杆	Stem
6	阀盖	Bonnet
7	手轮	Handwheel

部件材料 Component Materials:

阀体: 铸铁
阀盖: 铸铁
衬里: 玻璃搪瓷
隔膜: 橡胶、氟塑料
阀瓣: 铸铁
阀杆: 碳钢
手轮: 铸铁
Body: Cast iron
Bonnet: Cast iron
Lining: Enamel glass
Diaphragm: Rubber, fluorine plastic
Disc: Cast iron
Stem: Carbon steel
Handwheel: Cast iron

主要外形尺寸及重量 Main dimensions and weight

公称通径 Nominal DN		公称压力 Mpa Nominal pressure	工作压力 Mpa Working pressure	L	D	D1	N-φd	H1	H2	D0	重量 Weight kg/kilos
mm	inch										
15	1/2"	1.0	0.6	125	95	65	4-14	105	112	100	3
20	3/4"			135	105	75	4-14	116	125	100	4
25	1"			145	115	85	4-14	123	137	120	5.5
32	1 1/4"			160	135	100	4-18	134	152	120	7
40	1 1/2"			180	145	110	4-18	155	175	140	9
50	2"			210	160	125	4-18	171	197	140	12
65	2 1/2"			250	180	145	4-18	206	240	200	19
80	3"	300	195	160	4-18	220	260	200	26		
100	4"	350	215	180	8-18	272	324	280	39		
125	5"	400	245	210	8-18	338	406	280	63		
150	6"	460	280	240	8-23	380	460	320	86		
200	8"	0.4	0.4	570	335	295	8-23	506	626	400	142
250	10"			680	390	350	12-23	590	726	500	261



技术规范 Technical specification

设计与制造 Design and manufacture: Bs5156
 结构长度 Face to face dimension: Bs5156
 法兰连接尺寸 Connection dimension of flange: BS4504、DIN2532、JIS B2212、ANSI B16.1 ISO2004

部件列表 Component list:

1	阀体	Body
2	阀体衬里	Body lining
3	隔膜	Diaphragm
4	阀瓣	Disc
5	阀杆	Stem
6	阀盖	Bonnet
7	电动头	Electric actuator

部件材料 Component Materials:

阀体: 铸铁、球墨铸铁、碳钢、不锈钢
 阀盖: 铸铁、球墨铸铁、碳钢、不锈钢
 衬里: 无衬里、氟塑料、橡胶
 隔膜: 氟塑料、橡胶
 阀瓣: 铸铁、碳钢
 阀杆: 碳钢、不锈钢
 支撑架: 铸铁、碳钢
 电动装置: 组合件

Body: Cast iron, spheroidal graphite cast iron, carbon steel, stainless steel
 Bonnet: Cast iron, spheroidal graphite cast iron, carbon steel, stainless steel
 Lining: Unlined, fluorine plastic, Rubber
 Diaphragm: Fluorine plastic, Rubber
 Disc: Cast iron, carbon steel
 Stem: Carbon steel, stainless steel
 Sustaining: Cast iron, carbon steel
 electric actuator :Assembly actuator

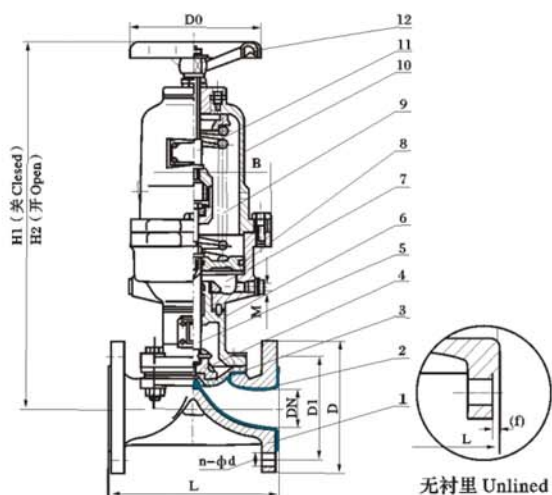
主要外形尺寸及重量 Main dimensions and weight

公称通径 Nominal DN		公称压力 Nominal pressure Mpa	工作压力 Working pressure Mpa	L mm	D mm	D1 mm	N-φd mm	F mm	H mm	型号 Model	输出力矩 Output torque N-m	启闭时间 On and off time S	重量 Weight kg/kilos
mm	inch												
15	1/2"	1.6		108	95	65	4-14	2					
20	3/4"			117	105	75	4-14	2					
25	1"			127	115	85	4-14	2	445	Z5-18/16	50	17	40
32	1 1/4"			146	140	100	4-18	2	457	Z5-18/16	50	20	41
40	1 1/2"			159	150	110	4-18	2	466	Z5-18/16	50	14	44
50	2"			190	165	125	4-18	2	480	Z10-18/16	50	20	50
65	2 1/2"	1.0		216	185	145	4-18	2	517	Z10-18/16	150	28	60
80	3"			254	200	160	8-18	2	539	Z10-36/25	100	160	70
100	4"			305	220	180	8-18	2	576	Z10-36/25	100	17	77
125	5"			356	250	210	8-18	3	634	Z15-18/25	150	32	92
150	6"			406	285	240	8-22	3	660	Z20-18/25	200	53	120
200	8"			521	340	295	8-22	3	860	Z20-18/25	300	33	180
250	10"	0.6		635	395	350	12-22	5					
300	12"			749	445	400	12-22	5					

注: 电动装置可按客户要求配置。
 Note: The electric actuator can be equipped according to the requirement.

G6B41W/J/F₄₆国标气动隔膜阀(常闭式)
Pneumatic diaphragm valve(Normally close)

TANA



技术规范 Technical specification

设计与制造 Design and manufacture: GB12239
结构长度 Face to face dimension: GB12221、JB1688
法兰连接尺寸 Connection dimension of flange: GB4216、JB78

部件列表 Component list:

1	阀体	Body
2	阀体衬里	Body lining
3	隔膜	Diaphragm
4	阀瓣	Disc
5	下阀杆	Lower Stem
6	阀盖	Bonnet
7	气缸	Cylinder
8	活塞	Piston
9	弹簧	Spring
10	气缸盖	Cylinder cover
11	上阀杆	Upper stem
12	手轮	Handwheel

部件材料 Component Materials:

阀体: 铸铁、球墨铸铁、碳钢、不锈钢
阀盖: 铸铁、球墨铸铁、碳钢、不锈钢
衬里: 无衬里、氟塑料、橡胶
隔膜: 氟塑料、橡胶
阀瓣: 铸铁、碳钢
气缸: 球墨铸铁
阀杆: 碳钢
手轮: 铸铁

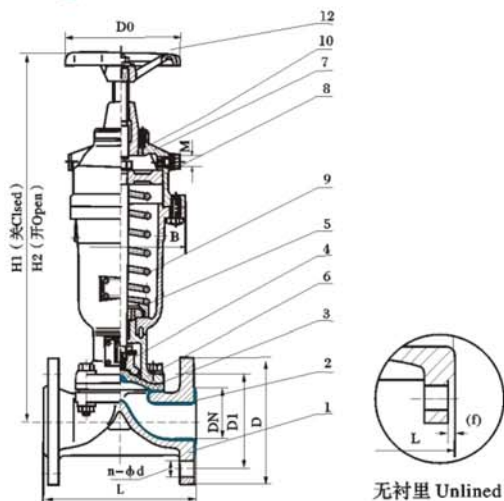
Body: Cast iron, spheroidal graphite cast iron, carbon steel, stainless steel
Bonnet: Cast iron, spheroidal graphite cast iron, carbon steel, stainless steel
Lining: Unlined, fluorine plastic, rubber
Diaphragm: Fluorine plastic, rubber
Disc: Cast iron, carbon steel
Cylinder: Spheroidal graphite cast iron
Piston: Carbon steel
Stem: Carbon steel
Handwheel: Cast iron

主要外形尺寸及重量 Main dimensions and weight

公称通径 Nominal DN	公称压力 Nominal pressure Mpa	工作压力 Working pressure Mpa	L mm	D mm	D1 mm	N-φd mm	F mm	H1 mm	H2 mm	D0 mm	B mm	气源压力 Air pressure Mpa	气源接头 Air joint in	耗气量 Air consumption cm3	重量 Weight kg/kilos
15	1/2"	1.0	125	95	65	4-14	2								
20	3/4"		139	105	75	4-14	2								
25	1"		145	115	85	4-18	2	296	310	120	94	0.4	10×1	2.395×10 ²	8
32	1 1/4"		160	135	100	4-18	2	398	416	140	120	0.4	12×1.25	6.082×10 ²	15
40	1 1/2"		180	145	110	4-18	3	406	426	140	120	0.4	12×1.25	6.082×10 ²	17.5
50	2"		210	160	125	4-18	3	464	489	160	185	0.4	12×1.25	1.235×10 ³	26
65	2 1/2"		250	180	145	4-18	3	635	675	160	245	0.5	16×1.5	1.235×10 ³	56
80	3"		300	195	160	4-18	3	645	685	200	245	0.5	16×1.5	3.725×10 ³	61
100	4"		350	215	180	8-18	3	710	760	240	330	0.5	16×1.5	9.458×10 ³	94.5
125	5"		400	245	210	8-18	3	732	900	320	380	0.5	20×1.5	1.409×10 ⁴	170
150	6"	460	280	240	8-22	3	933	1130	320	470	0.5	20×1.5	2.868×10 ⁴	229	
200	8"	570	335	295	8-22	4	1275	1395	400	470	0.5	20×1.5	4.619×10 ⁴	387	
250	10"	680	390	350	12-22	4									

- 注: 1. 气动隔膜阀门尚可加装反馈信号、限位器或定位器, 以适应自控、程控或调节流量的需要。
2. 气动阀门的反馈信号采用无触点传感技术。
3. 采用薄膜式气缸替代活塞式气缸, 排除了活塞环易损漏而导致无法启闭阀门的弊端。
4. 当气源发生故障时, 可操作手轮使阀门开启。

- Note: 1. Pneumatic diaphragm valve also can be installed feedback signal, limited machine or localizer in order to adapt to the requirements of automatic control, programed control or flow rate adjustment.
2. The feedback signal of pneumatic valve is adopted the sense technology of non-contact.
3. Adop film cylinder in place of piston cylinder, which remove the abuse that piston ring is easily and lead to not open or close valve.
4. When gas source happen to trouble, can operate handwheel to open valve.



技术规范 Technical specification

设计与制造 Design and manufacture: GB12239
 结构长度 Face to face dimension: GB12221、JB1688
 法兰连接尺寸 Connection dimension of flange: GB4216、JB78

部件列表 Component list:

1	阀体	Body
2	阀体衬里	Body lining
3	隔膜	Diaphragm
4	阀瓣	Disc
5	下阀杆	Lower Stem
6	阀盖	Bonnet
7	气缸	Cylinder
8	活塞	Piston
9	弹簧	Spring
10	气缸盖	Cylinder cover
11	上阀杆	Upper stem
12	手轮	Handwheel

部件材料 Component Materials:

阀体: 铸铁、球墨铸铁、碳钢、不锈钢
 阀盖: 铸铁、球墨铸铁、碳钢、不锈钢
 衬里: 无衬里、氟塑料、橡胶
 隔膜: 氟塑料、橡胶
 阀瓣: 铸铁、碳钢
 气缸: 球墨铸铁
 活塞: 碳钢
 阀杆: 碳钢
 手轮: 铸铁

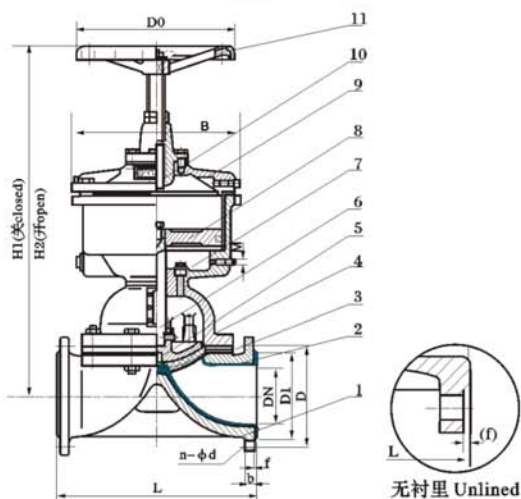
Body: Cast iron, spheroidal graphite cast iron, carbon steel, stainless steel
 Bonnet: Cast iron, spheroidal graphite cast iron, carbon steel, stainless steel
 Lining: Unlined, fluorine plastic
 Diaphragm: Fluorine plastic
 Disc: Cast iron, carbon steel
 Cylinder: Spheroidal graphite cast iron
 Piston: Carbon steel
 Stem: Carbon steel
 Handwheel: Cast iron

主要外形尺寸及重量 Main dimensions and weight

公称口径 Nominal DN	公称压力 Nominal pressure Mpa	工作压力 Working pressure Mpa	L	D	D1	N-φd	F	H1	D0	B	代号 Code mm	气源压力 Air pressure Mpa	气源接头 Air joint in	耗气量 Air consumption cm ³	重量 Weight kg/kilos
mm	inch		mm	mm	mm		mm	mm	mm	mm					
15	1/2"	1.0	125	95	65	4-14	2								
20	3/4"		139	105	75	4-14	2								
25	1"		145	115	85	4-18	2	306	320	120	94	0.4	10×1	2.395×10 ²	7.5
32	1 1/4"		160	135	100	4-18	2	410	430	140	120	0.4	12×1.25	6.082×10 ²	14.5
40	1 1/2"		180	145	110	4-18	3	415	435	140	120	0.4	12×1.25	6.082×10 ²	16
50	2"		210	160	125	4-18	3	463	488	160	185	0.4	12×1.25	1.235×10 ³	24.5
65	2 1/2"	0.6	250	180	145	4-18	3	620	660	160	245	0.5	16×1.5	3.725×10 ³	50
80	3"		300	195	160	4-18	3	627	667	200	245	0.5	16×1.5	3.725×10 ³	55
100	4"		350	215	180	8-18	3	719	769	240	330	0.5	16×1.5	9.458×10 ³	86.5
125	5"	0.4	400	245	210	8-18	3	804	872	320	380	0.5	20×1.5	1.409×10 ⁴	133
150	6"		460	280	240	8-22	3	920	1000	320	470	0.5	20×1.5	2.868×10 ⁴	196.5
200	8"		570	335	295	8-22	4	1145	1265	400	470	0.5	20×1.5	4.619×10 ⁴	279.5

注: 1. 气动隔膜阀门尚可附装反馈信号、限位器或定位器, 以适应自控、程控或调节流量的需要。
 2. 气动阀门的反馈信号采用无触点传感技术。
 3. 采用薄膜式气缸替代活塞式气缸, 排除了活塞环易磨损而导致无法启闭阀门的弊端。
 4. 当气源发生故障时, 可操作手轮使阀门开启。

Note: 1. Pneumatic diaphragm valve also can be installed feedback signal, limited machine or localizer in order to adapt to the requirements of automatic control, programed control or flow rate adjustment.
 2. The feedback signal of pneumatic valve is adopted the sense technology of non-contact.
 3. Adopt film cylinder in place of piston cylinder, which remove the abuse that piston ring is easily and lead to not open or close valve.
 4. When gas source happen to trouble, can operate handwheel to open valve.



技术规范 Technical specification

设计与制造 Design and manufacture: GB12239
结构长度Face to face dimension: GB12221、JB1688
法兰连接尺寸Connection dimension of flange: GB4216、JB78

部件列表 Component list:

1	阀体	Body
2	阀体衬里	Body lining
3	隔膜	Diaphragm
4	阀瓣	Disc
5	下阀杆	Lower Stem
6	阀盖	Bonnet
7	气缸	Cylinder
8	活塞	Piston
9	气缸盖	Cylinder cover
10	上阀杆	Upper stem
11	手轮	Handwheel

部件材料Component Materials:

阀体: 铸铁、球墨铸铁、碳钢、不锈钢
阀盖: 铸铁、球墨铸铁、碳钢、不锈钢
衬里: 无衬里、氟塑料、橡胶
隔膜: 氟塑料、橡胶
阀瓣: 铸铁、碳钢
气缸: 球墨铸铁
活塞: 碳钢
阀杆: 碳钢
手轮: 铸铁

Body: Cast iron, spheroidal graphite cast iron, carbon steel, stainless steel
Bonnet: Cast iron, spheroidal graphite cast iron, carbon steel, stainless steel
Lining: Unlined, fluorine plastic
Diaphragm: Fluorine plastic
Disc: Cast iron, carbon steel
Cylinder: Spheroidal graphite cast iron
Piston: Carbon steel
Stem: Carbon steel
Handwheel: Cast iron

主要外形尺寸及重量 Main dimensions and weight

公称口径 Nominal DN	公称压力 Nominal pressure Mpa	工作压力 Working pressure Mpa	L	D	D1	N-φd	F	H1	H2	D0	B	气源压力 Air pressure Mpa	气源接头 Air joint in	耗气量 Air consumption cm ³	重量 Weight kg/kilos
mm	inch		mm	mm	mm		mm	mm	mm	mm	mm				
15	1/2"	1.0	125	95	65	4-14	2								
20	3/4"		139	105	75	4-14	2								
25	1"		145	115	85	4-18	2								
32	1 1/4"	1.0	160	140	100	4-18	2	250	264	120	94	0.4	10×1	2.395×10 ²	6.5
40	1 1/2"		180	150	110	4-18	3			140	120	0.4	12×1.25	6.082×10 ²	
50	2"		210	165	125	4-18	3			140	120	0.4	12×1.25	6.082×10 ²	
65	2 1/2"		250	185	145	4-18	3	379	405	160	185	0.4	12×1.25	1.235×10 ³	25
80	3"		300	200	160	4-18	3					0.4	16×1.5		31.5
100	4"		350	220	180	8-18	3	483	523	240	245	0.5	16×1.5	3.725×10 ³	62.5
125	5"	0.6	400	250	210	8-18	3	565	617	280	330	0.5	16×1.5	9.458×10 ³	93.5
150	6"		460	285	240	8-22	3	664	732	320	380	0.5	20×1.5	1.409×10 ⁴	114
200	8"		570	340	295	8-22	4	750	830	320	470	0.5	20×1.5	2.868×10 ⁴	164
250	10"	0.4	680	395	350	12-22	4	930	1050	400	470	0.5	20×1.5	4.619×10 ⁴	249

注: 1. 气动隔膜阀门尚可加装反馈信号、限位器或定位器, 以适应自控、程控或调节流量的需要。

2. 气动阀门的反馈信号采用无触点传感技术。

3. 采用薄膜式气缸替代活塞式气缸, 排除了活塞环易损漏而导致无法启闭阀门的弊端。

4. 当气源发生故障时, 可操作手轮使阀门开启。

Note: 1. Pneumatic diaphragm valve also can be installed feedback signal, limited machine or localizer in order to adapt to the requirements of automatic control, programed control or flow rate adjustment.

2. The feedback signal of pneumatic valve is adopted the sense technology of non-contact.

3. Adopt film cylinder in place of piston cylinder, which remove the abuse that piston ring is easily and lead to not open or close valve.

4. When gas source happen to trouble, can operate handwheel to open valve.

技术规范 Technical specification

设计与制造 Design and manufacture: Bs5156
 结构长度 Face to face dimension: Bs5156
 法兰连接尺寸: Connection dimension of flange: BS4504,
 DIN2532、JIS B2212、ANSI B16.1 ISO2004

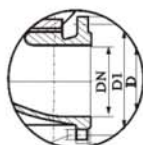
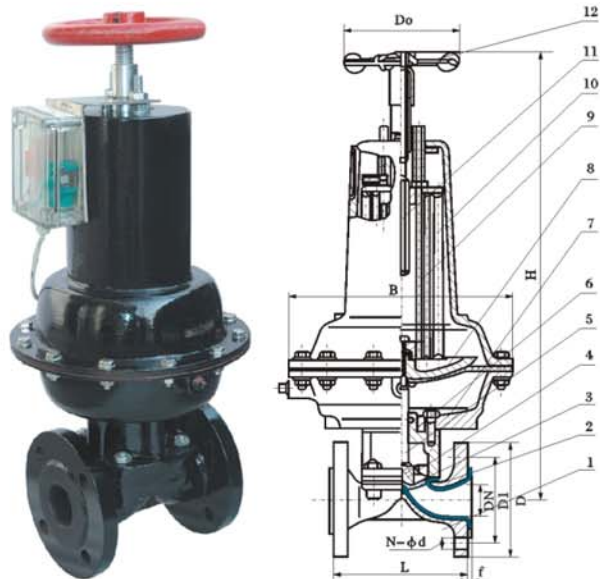
部件列表 Component list:

1	阀体	Body
2	阀体衬里	Body lining
3	隔膜	Diaphragm
4	阀瓣	Disc
5	下阀杆	Lower Stem
6	阀盖	Bonnet
7	气缸	Cylinder
8	气动薄膜	Pneumatic diaphragm
9	弹簧	Spring
10	气缸盖	Cylinder cover
11	上阀杆	Upper stem
12	手轮	Handwheel

部件材料 Component Materials:

阀体: 铸铁、球墨铸铁、碳钢、不锈钢
 阀盖: 铸铁、球墨铸铁、碳钢、不锈钢
 衬里: 无衬里、氟塑料、橡胶
 隔膜: 氟塑料、橡胶
 阀瓣: 铸铁、碳钢
 气缸: 铝合金、不锈钢
 气动薄膜: 橡胶
 阀杆: 碳钢、不锈钢
 手轮: 铸铁

Body: Cast iron, spheroidal graphite cast iron, carbon steel, stainless steel
 Bonnet: Cast iron, spheroidal graphite cast iron, carbon steel, stainless steel
 Lining: Unlined, fluorine plastic, Rubber
 Diaphragm: Fluorine plastic, Rubber
 Disc: Cast iron, carbon steel
 Cylinder: Aluminum alloy, carbon steel
 Pneumatic: Rubber diaphragm
 Stem: Carbon steel, stainless steel
 Handwheel: Cast iron



无衬里 Unlined

主要外形尺寸及重量 Main dimensions and weight

公称通径 Nominal DN		公称压力 Nominal pressure Mpa	工作压力 Working pressure Mpa	L mm	D mm	D1 mm	N-φd mm	F mm	H1 mm	D0 mm	B mm	代号 Code mm	气源压力 Air pressure Mpa	气源接头 Air joint in	耗气量 Air consumption cm ³	重量 Weight kg/kilos
mm	inch															
15	1/2"	1.6	1.6	108	95	65		2								
20	3/4"			117	105	75	4-13.5	2		120	168	61	0.3	1/8	163.87	7.2
25	1"			127	115	85	4-13.5	2	394	120	168	61	0.3~0.4	1/8	196.65	8.9
32	1 1/4"			146	140	100	4-17.5	2	400	120	168	61	0.3~0.4	1/8	229.4	10.6
40	1 1/2"			159	150	110	4-17.5	2	485	165	260	62	0.3~0.4	1/4	1425.7	19.5
50	2"	190	165	125	4-17.5	2	635	165	318	63	0.3~0.4	1/4	2284.1	34.9		
65	2 1/2"	216	185	145	4-17.5	2	650	165	318	63	0.3~0.4	1/4	3048	39.9		
80	3"	254	200	160	8-17.5	2	660	165	318	63	0.4~0.5	1/4	3244.7	51.9		
100	4"	305	220	180	8-17.5	2	816	280	425	64	0.4~0.5	3/8	6964.5	93.2		
125	5"	356	250	210	8-17.5	3	825	280	425	64	0.4~0.5	3/8	7439.7	105.3		
150	6"	406	285	240	8-22	3	1013	356	549	65	0.5	3/8	14912	184.5		
200	8"	521	340	295	8-22	3	1300	483	749	66	0.6	1/2	49161	407.4		

注: 1. 气动隔膜阀门尚可附装反馈信号、限位器或定位器, 以适应自控、程控或调节流量的需要。

2. 气动阀门的反馈信号采用无触点传感技术。

3. 采用薄膜式气缸替代活塞式气缸, 排除了活塞环易损漏而导致无法启闭阀门的弊端。

4. 当气源发生故障时, 可操作手轮使阀门开启。

Note: 1. Pneumatic diaphragm valve also can be imstalled feedback signal, limited machine or localizer in order to adapt to the requirements of automatic control, programed control or flow rate eajustment.

2. The feedback signal of pneumatic valve is adopted the sense technology of non-contact.

3. Adop film cylinder in place of piston cylinder, which remove the abuse that piston ring is easily and lead to not open or close valve.

4. When gas source happen to trouble, can operate handwheel to open valve.

技术规范 Technical specification

设计与制造 Design and manufacture: Bs5156
结构长度 Face to face dimension: Bs5156
法兰连接尺寸 Connection dimension of flange: BS4504、DIN2532、JIS B2212 ANSI B16.1 ISO2004

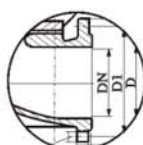
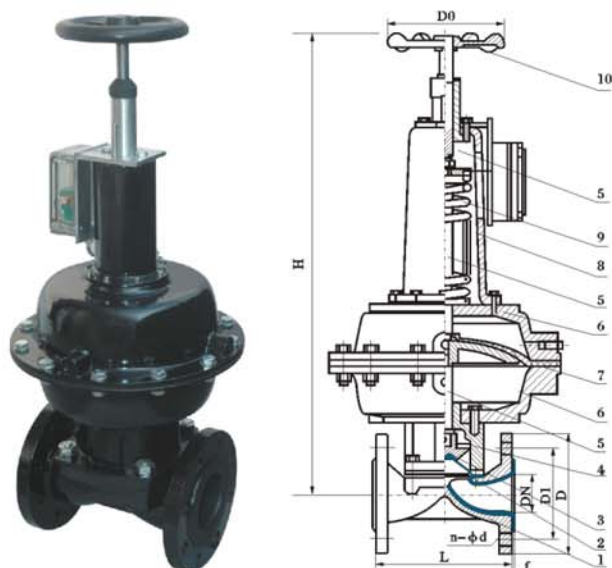
部件列表 Component list:

1	阀体	Body
2	隔膜	Diaphragm
3	阀瓣	Disc
4	阀盖	Bonnet
5	上中下阀杆	Upper,middle,lower stem
6	气缸	Cylinder
7	气动薄膜	Pneumatic diaphragm
8	弹簧盖	Spring cover
9	弹簧	Spring
10	手轮	Handwheel

部件材料 Component Materials:

阀体: 铸铁、球墨铸铁、碳钢、不锈钢
阀盖: 铸铁、球墨铸铁、碳钢、不锈钢
衬里: 无衬里、氟塑料、橡胶
隔膜: 氟塑料、橡胶
阀瓣: 铸铁、碳钢
气缸: 铝合金、不锈钢、碳钢
气动薄膜: 橡胶
阀杆: 碳钢、不锈钢
手轮: 铸铁

Body: Cast iron, spheroidal graphite cast iron, carbon steel, stainless steel
Bonnet: Cast iron, spheroidal graphite cast iron, carbon steel, stainless steel
Lining: Unlined, fluorine plastic, Rubber
Diaphragm: Fluorine plastic, Rubber
Disc: Cast iron, carbon steel
Cylinder: Aluminum alloy, carbon steel, carbon steel
Pneumatic: Rubber diaphragm
Stem: Carbon steel, stainless steel
Handwheel: Cast iron



无衬里 Unlined

主要外形尺寸及重量 Main dimensions and weight

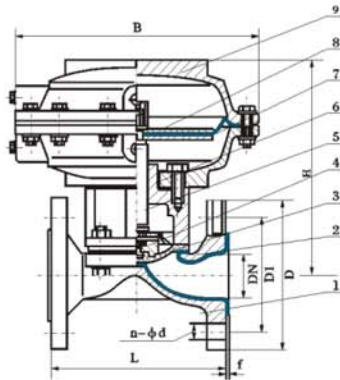
公称通径 Nominal DN		公称压力 Nominal pressure Mpa	工作压力 Working pressure Mpa	L	D	D1	N-φd	F	H1	D0	B	代号 Code mm	气源压力 Air pressure Mpa	气源接头 Air joint in	耗气量 Air consumption cm ³	重量 Weight kg/kilos
mm	inch			mm	mm	mm		mm	mm	mm	mm					
15	1/2"	1.6	1.6	108	95	65	4-13.5	2								
20	3/4"			117	105	75	4-13.5	2	343	140	168	68	0.3	1/8	163.87	6.3
25	1"			127	115	85	4-17.5	2	345	140	168	68	0.3~0.4	1/8	196.65	7.3
32	1 1/4"			146	140	100	4-17.5	2	363	140	260	68	0.3~0.4	1/8	229.4	8.3
40	1 1/2"			159	150	110	4-17.5	2	430	140	260	69	0.3~0.4	1/4	1458.7	14.3
50	2"			190	165	125	4-17.5	2	575	140	260	70	0.3~0.4	1/4	3162.7	26
65	2 1/2"			216	185	145	4-17.5	2	588	140	260	70	0.3~0.4	1/4	3243	30.8
80	3"			254	200	160	8-17.5	2	769	165	425	71	0.4~0.5	3/8	6636.8	64.9
100	4"			305	220	180	8-17.5	2	816	280	425	71	0.4~0.5	3/8	6948	70.3
125	5"			356	250	210	8-17.5	3	820	280	425	71	0.4~0.5	3/8	7374.2	80.7
150	6"	406	285	240	8-22	3	920	280	549	72	0.5	3/8	10652	131.2		
200	8"	521	340	295	8-22	3	1010	280	549	72	0.6	3/8	16715	212		
250	10"	635	395	350	12-22	5										

- 注: 1. 气动隔膜阀门尚可加装反馈信号、限位器或定位器, 以适应自控、程控或调节流量的需要。
2. 气动阀门的反馈信号采用无触点传感技术。
3. 采用薄膜式气缸替代活塞式气缸, 排除了活塞环易损漏而导致无法启闭阀门的弊端。
4. 当气源发生故障时, 可操作手轮使阀门开启。

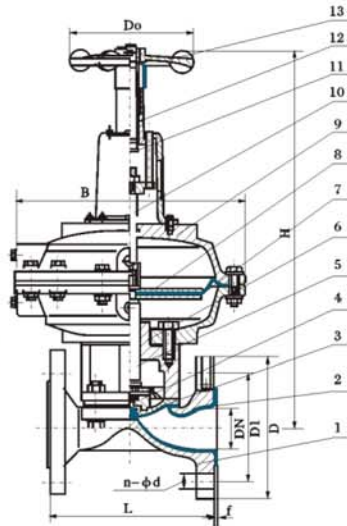
- Note: 1. Pneumatic diaphragm valve also can be installed feedback signal, limited machine or localizer in order to adapt to the requirements of automatic control, programed control or flow rate eajustment.
2. The feedback signal of pneumatic valve is adopted the sense technology of non-contact.
3. Adop film cylinder in place of piston cylinder, which remove the abuse that piston ring is easily and lead to not open or close valve.
4. When gas source happen to trouble, can operate handwheel to open valve.



无手操作



带手动操作



技术规范 Technical specification

设计与制造 Design and manufacture: BS1516
 结构长度 Face to face dimension: BS1516
 法兰连接尺寸 Connection dimension of flange: BS4504、DIN2532、
 JIS B2212、ANSI B16.1 ISO2004

部件列表 Component list:

1	阀体	Body
2	阀体衬里	Body lining
3	隔膜	Diaphragm
4	阀瓣	Disc
5	下阀杆	Lower Stem
6	阀盖	Bonnet
7	气缸	Cylinder
8	气动薄膜	Pneumatic diaphragm
9	气缸盖	Cylinder cover
10	中阀杆	Middle stem
11	弹簧盖	Spring cover
12	上阀杆	Upper stem
13	手轮	Handwheel

部件材料 Component Materials:

阀体: 铸铁、球墨铸铁、碳钢、不锈钢
 阀盖: 铸铁、球墨铸铁、碳钢、不锈钢
 衬里: 无衬里、氟塑料、橡胶
 隔膜: 氟塑料、橡胶
 阀瓣: 铸铁、碳钢
 气缸: 铝合金、不锈钢
 气动薄膜: 橡胶
 阀杆: 碳钢、不锈钢
 手轮: 铸铁

Body: Cast iron, spheroidal graphite cast iron, carbon steel, stainless steel
 Bonnet: Cast iron, spheroidal graphite cast iron, carbon steel, stainless steel
 Lining: Unlined, fluorine plastic
 Diaphragm: Fluorine plastic
 Disc: Cast iron, carbon steel
 Cylinder: Aluminum alloy, carbon steel
 Pneumatic: Rubber diaphragm
 Stem: Carbon steel, stainless steel
 Handwheel: Cast iron

主要外形尺寸及重量 Main dimensions and weight

公称通径 Nominal DN	公称压力 Nominal pressure Mpa	工作压力 Working pressure Mpa	L mm	D mm	D1 mm	N-φd mm	F mm	H带 mm	H无 mm	D0 mm	B mm	代号 Code mm	气源压力 Air pressure Mpa	气源接头 Air joint in	耗气量 Air consumption cm ³	重量 Weight kg/kilos	
																	mm
15	1/2"	1.6	108	95	65		2										
20	3/4"		117	105	75	4-13.5	2	343	136	140	168	54	0.3	1/8	163.87	5.6	
25	1"		127	115	85	4-13.5	2	345	144	140	168	54	0.3~0.4	1/8	196.65	6.8	
32	1 1/4"		146	140	100	4-17.5	2	363	209	140	260	55	0.3~0.4	1/8	229.4	7.7	
40	1 1/2"		159	150	110	4-17.5	2	430	227	140	260	55	0.3~0.4	1/4	1458.7	13.9	
50	2"		190	165	125	4-17.5	2	575	231	140	260	55	0.3~0.4	1/4	3162.7	24.5	
65	2 1/2"	1.0	216	185	145	4-17.5	2	588	252	140	260	55	0.3~0.4	1/4	3243	29	
80	3"		254	200	160	8-17.5	2	769	285	165	425	56	0.4~0.5	1/4	6636.8	63	
100	4"		305	220	180	8-17.5	2	816	360	280	425	57	0.4~0.5	3/8	6948	66	
125	5"		356	250	210	8-17.5	3	820	370	280	425	57	0.4~0.5	3/8	7374.2	75	
150	6"		406	285	240	8-22	3	920	462	280	549	58	0.5	3/8	10652	125	
200	8"		521	340	295	8-22	3	1010	544	280	549	58	0.6	3/8	16715	206	
250	10"	0.6	635	395	350		5										

注: 1. 气动隔膜阀门尚可附装反馈信号、限位器或定位器, 以适应自控、程控或调节流量的需要。

2. 气动阀门的反馈信号采用无触点传感技术。

3. 采用薄膜式气缸替代活塞式气缸, 排除了活塞环易磨损而导致无法启闭阀门的弊端。

4. 当气源发生故障时, 可操作手轮使阀门开启。

Note: 1. Pneumatic diaphragm valve also can be installed feedback signal, limited machine or localizer in order to adapt to the requirements of automatic control, programed control or flow rate adjustment.

2. The feedback signal of pneumatic valve is adopted the sense technology of non-contact.

3. Adopt film cylinder in place of piston cylinder, which remove the abuse that piston ring is easily and lead to not open or close valve.

4. When gas source happen to trouble, can operate handwheel to open valve.

J6^B_K41J/F₄₆ 气动衬胶、衬氟截止阀
pneumatic rubber-line and fluorine-lined Globe Valve

TANA

技术规范 Technical specification

设计与制造 Design and manufacture: GB12235
结构长度 Face to face dimension: GB12221(1系列)
法兰连接尺寸 Connection dimension of flange: GB4216、JB78

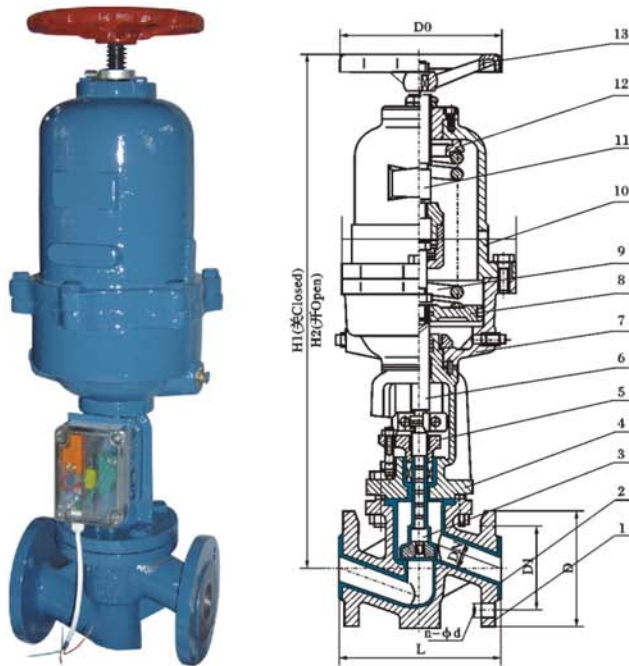
部件列表 Component list:

1	阀体	Body
2	阀座	Bonnet
3	阀体衬里	Body lining
4	阀瓣	Disc
5	压盖	Gland
6	中阀杆	Middle stem
7	下气缸	Lower cylinder
8	活塞	Piston
9	弹簧	Spring
10	上气缸	Upper cylinder
11	压盘	Compressor plate
12	上阀杆	Upper stem
13	手轮	Handwheel

部件材料 Component Materials:

阀体: 铸铁、碳钢、不锈钢
阀盖: 铸铁、碳钢、不锈钢
衬里: 氟塑料、橡胶
气缸: 球墨铸铁
活塞: 碳钢
阀瓣: 碳钢、不锈钢, 完全包覆氟塑料
阀杆: 碳钢、不锈钢, 部分包覆氟塑料
手轮: 铸铁、碳钢

Body: Cast iron, carbon steel, Stainless steel
Bonnet: Cast iron, carbon steel, Stainless steel
Lining: Fluorine plastic
Cylinder: Spheroidal graphite cast iron
Piston: Carbon steel
Disc: Carbon steel, stainless steel, fully covered with fluorine plastic
Stem: Carbon steel, stainless steel, partially covered fluorine plastic
Handwheel: Cast iron, carbon steel



主要外形尺寸及重量 Main dimensions and weight

公称通径 Nominal DN		公称压力 Mpa Nominal pressure	工作压力 Mpa Working pressure	L mm	D mm	D1 mm	N-φd mm	H mm	D0 mm	重量 Weight kg/kilos
mm	inch									
15	1/2"	1.6	1.6	130	95	65	4-14	550	160	23
20	3/4"			150	105	75	4-14			
25	1"			180	115	85	4-14			
32	1 1/4"			200	140	100	4-18			
40	1 1/2"			230	150	110	4-18			
50	2"			290	165	125	4-18			
65	2 1/2"	1.0	1.0	310	185	145	4-18	980	320	135
80	3"			350	200	160	6/2-18			
100	4"			400	220	180	6/2-18			
125	5"			480	250	210	6/2-18			
150	6"			600	285	240	6/2-22			
200	8"			600	340	295	6/2-22			

注: 1. 气动隔膜阀门尚可附装反馈信号、限位器或定位器, 以适应自控、程控或调节流量的需要。

2. 气动阀门的反馈信号采用无触点传感技术。

3. 采用薄膜式气缸替代活塞式气缸, 排除了活塞环易损漏而导致无法启闭阀门的弊端。

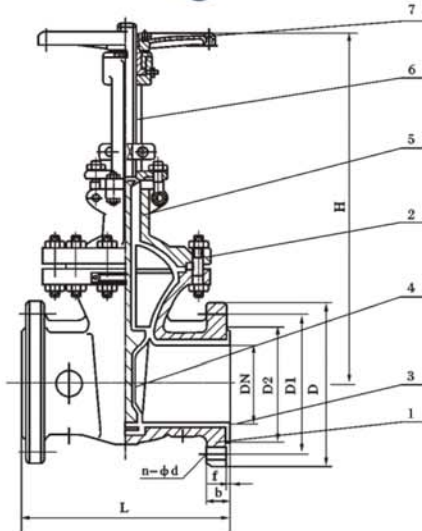
4. 当气源发生故障时, 可操作手轮使阀门开启。

Note: 1. Pneumatic diaphragm valve also can be installed feedback signal, limited machine or localizer in order to adapt to the requirements of automatic control, programed control or flow rate adjustment.

2. The feedback signal of pneumatic valve is adopted the sense technology of non-contact.

3. Adop film cylinder in place of piston cylinder, which remove the abuse that piston ring is easily and lead to not open or close valve.

4. When gas source happen to trouble, can operate handwheel to open valve.



技术规范 Technical specification

设计与制造 Design and manufacture: Gb12234

结构长度 Face to face dimension: Gb12221

(长系列 Series of long structure) 、JB97

法兰连接尺寸 Flange connection: JB78、JB79、GB9113、HG、SH

部件列表 Component list:

1	阀体	Body
2	阀盖 菌	Bonnet
3	阀体衬里	Body lining
4	闸板	Wedge
5	闸杆	Stem
6	支架	Yoke
7	手轮	Handwheel

部件材料 Component Materials:

阀体: 碳钢、不锈钢、超低碳不锈钢

阀盖: 碳钢、不锈钢、超低碳不锈钢

衬里: 氟塑料、橡胶

闸板: 碳钢包覆氟塑料、橡胶

支架: 碳钢

闸杆: 碳钢, 部分包覆氟塑料

手轮: 铸铁、碳钢

Body: Carbon steel, stainless steel, ultra low carbon stainless steel

Bonnet: Carbon steel, stainless steel, ultra low carbon stainless steel

Lining: Fluorine plastic, Rubber

Wedge: Carbon steel core fully covered with fluorine plastic

Yoke: Carbon steel

Stem: 2Cr13, 1Cr18Ni9, partially covered with fluorine plastic

Handwheel: Cast iron, carbon steel

主要外形尺寸及重量 Main dimensions and weight

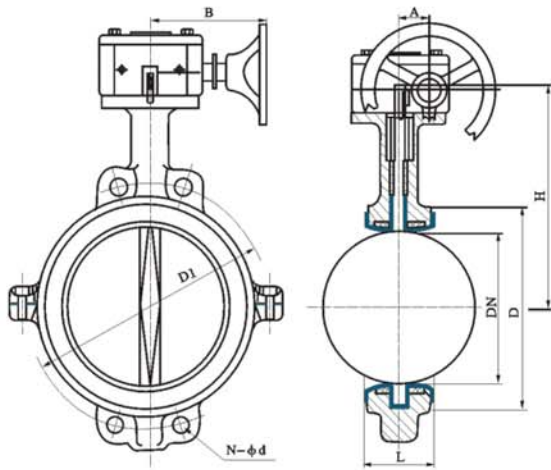
公称通径 Nominal size	L mm				D mm				D1 mm				D2 mm				B (mm)			n-φd mm				
DN NPS	0.6	1.0	1.6	2.5	0.6	1.0	1.6	2.5	0.6	1.0	1.6	2.5	0.6	1.0	1.6	2.5	0.6	1.0	1.6	2.5	0.6	1.0	1.6	2.5
15 1/2"	130	130	130	130	80	95	95	95	55	65	65	65	40	45	45	45	12	14	14	16	4-12	4-14	4-14	4-14
20 3/4"	150	150	150	150	90	105	105	105	65	75	75	75	50	55	55	55	14	16	16	16	4-12	4-14	4-14	4-14
25 1"	160	160	160	160	100	115	115	115	75	85	85	85	60	65	65	65	14	16	16	16	4-12	4-14	4-14	4-14
32 1 1/4"	180	180	180	180	120	135	135	135	90	100	100	100	70	78	78	78	16	18	18	18	4-14	4-18	4-18	4-18
40 1 1/2"	240	240	240	240	130	145	145	145	100	110	110	110	80	85	85	85	16	18	18	18	4-14	4-18	4-18	4-18
50 2"	250	250	250	250	140	160	160	160	110	125	125	105	90	100	100	100	16	20	20	20	4-14	4-18	4-18	4-18
65 2 1/2"	270	270	270	270	160	180	180	180	130	145	145	145	110	120	120	120	16	20	20	22	4-14	4-18	4-18	8-18
80 3"	280	280	280	280	185	195	195	195	150	160	160	160	125	135	135	135	18	22	22	22	4-18	4-18	8-18	8-18
100 4"	300	300	300	300	205	215	215	230	170	180	180	190	145	155	155	160	18	22	24	24	4-18	8-18	8-18	8-23
125 5"	325	325	325	325	235	245	245	270	200	210	210	220	175	185	185	188	20	24	26	28	8-18	8-18	8-18	8-25
150 6"	350	350	350	350	260	280	280	300	225	240	240	250	200	210	210	218	20	24	28	30	8-18	8-23	8-23	8-25
200 8"	400	400	400	400	315	335	335	360	280	295	295	310	255	265	265	278	22	26	30	34	8-18	8-23	12-23	12-25
250 10"	450	450	450	450	370	390	405	425	335	350	355	370	310	320	320	332	24	28	32	36	12-18	12-23	12-25	12-30
300 12"	500	500	500	500	435	440	460	485	395	400	410	430	362	368	375	390	24	28	34	40	12-23	12-23	12-25	16-30
350 14"	550	550	550		485	500	520		445	460	470		412	428	435		26	30	38		12-23	16-23	16-25	
400 16"	600	600	600		535	565	580		495	515	525		462	482	485		28	32	40		16-23	16-25	16-30	
450 18"	650	650	650		590	615	640		550	565	585		518	532	545		28	32	44		16-23	20-25	20-30	
500 20"	700	700	700		640	670	705		600	620	650		568	585	608		30	34	46		16-23	20-25	20-34	

注: 表中 L 值 DN ≤ 32 按 JB97 PN4.0MPa, DN ≥ 40 按 GB12221 长系列。

Note: L value DN ≤ 32 in the table, according to JB97 PN4.0MPa, DN ≥ 40, according to GB12221 the series of long structure.

D71J/F₄₆、D371J/F₄₆ 对夹式衬胶、衬氟蝶阀
Rubber-lined and fluorine-lined butterfly valve

TANA



技术规范 Technical specification

设计与制造 Design and manufacture: Gb12238
结构长度 Face to face dimension: Gb12221
法兰连接尺寸 Connection dimension of flange: GB4216、JB78、JB79

部件列表 Component list:

1	阀体	Body
2	蝶圈	Seat
3	蝶板	Disc
4	四氟圈	PTFE Ring
5	蝶形弹性垫圈	Spring
6	手柄定位板	Locator
7	手轮	Wrench

部件材料 Component Materials:

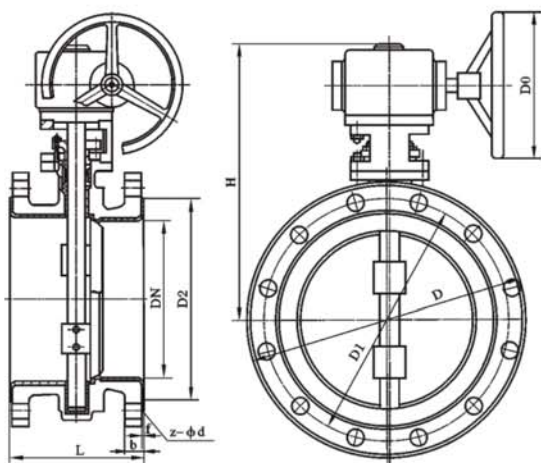
上阀体: 铸铁、碳钢、不锈钢
下阀体: 铸铁、碳钢、不锈钢
蝶板: 不锈钢、碳钢完全包覆氟塑料
蝶板轴: 碳钢、不锈钢
阀座: 氟塑料、橡胶
弹性条(垫): Si
O型圈: Viton
手柄: 铸铁、铸铝合金

Upper body: Cast iron, carbon steel, stainless steel
Lower body: Cast iron, carbon steel, stainless steel
DISC: Stainless steel, carbon steel core fully covered with fluorine plastic
Axis: carbon steel, stainless steel
Seat: PTFE, PCTFE, FEP, PFA
Spring strip: Si
O ring: Viton
Wrench: Cast iron, cast aluminium alloy

主要外形尺寸及重量 Main dimensions and weight

公称通径 Nominal size		L mm	D mm			D1 mm			D2 mm			n-φ mm			f mm	H mm	A mm	B mm	重量 Weigh kg/kilos
DN	NPS		0.6	1.0	1.6	0.6	1.0	1.6	0.6	1.0	1.6	0.6	1.0	1.6					
50	2"	43	140	165	160	110	125	125	90	93	100	2-14	4-18	4-18	3	180	45	120	6.5
65	2 1/2"	46	160	185	180	130	145	145	110	106	120	2-14	4-18	4-18	3	200	45	120	8.0
80	3"	46	182	200	195	150	160	160	125	123	135	4-18	4-18	8-18	3	220	45	120	10
100	4"	52	205	220	215	170	180	180	145	150	155	4-18	8-18	8-18	3	254	45	120	13
125	5"	56	235	250	245	200	210	210	175	172	185	4-18	8-18	8-18	3	300	45	120	17
150	6"	56	260	285	280	225	240	240	200	198	210	4-18	8-23	8-23	3	334	66	150	22
200	8"	60	315	340	335	280	295	295	225	252	265	4-18	8-23	12-23	3	450	85	170	43
250	10"	68	370	395	405	335	350	355	310	320	320	4-23	12-23	12-25	3	525	85	170	52
300	12"	78	435	445	160	395	400	410	362	368	378	4-23	12-23	12-25	4	590	106	205	60
350	14"	78	485	505	520	445	460	470	412	428	435	4-23	16-23	16-25	4	650	106	205	94
400	16"	102	535	565	580	495	515	525	462	532	485	4-23	16-23	16-30	4	745	130	240	165
450	18"	114	590	620	640	550	565	585	518	585	545	4-23	16-25	20-30	4	820	155	240	200
500	20"	127	640	670	705	600	620	650	568	685	608	4-25	20-25	20-34	4	870	169	306	235
600	24"	154	755	780	84	705	725	770	670		718	4-25	20-25	24-41	5	1010	198	324	280
700	28"	165	860	895	910	810		840	775		788	4-30	20-30	24-41	5	1130	220	335	530
800	32"	190	975	1010	1020	920		950	880		898	4-30		24-41	5	1240	241	356	650
900	36"	203	1075	1110	1120	1020		1050	980		998	4-30		28-41	5	1350	241	356	780
1000	40"	216	1175	1220	1255	1120		1170	1080		1110	4-34		28-48	5	1460	241	356	880
1200	48"	254	1400	1450	1485	1340		1390	1295		1325			32-54	5	1670			1050

注: 为了方便客户安装要求, 本表给定的数值系与蝶阀连接的标准法兰尺寸, 简图中尺寸代号仅是其中一部分。
Note: In order to be convenient for the installation of clients, the numerical valve, butterfly valve joint standard flange size and size code in the are only one part of them.



技术规范 Technical specification

设计与制造 Design and manufacture: Gb12238
 结构长度 Face to face dimension: GB12221
 法兰连接尺寸 Connection dimension of flange: GB4216

部件列表 Component list:

1	阀体	Body
2	蝶圈	Seat
3	蝶板	Disc
4	蝶板	Stem
5	驱动装置	Actuator
6	四氟圈	PTFE Ring
7	填料圈	Filling Ring
8	蝶型弹簧	Spring

部件材料 Component Materials:

阀体: 铸铁、碳钢、不锈钢
 蝶板: 不锈钢、碳钢完全包覆氟塑料
 阀杆: 碳钢、不锈钢
 阀座: 氟塑料、橡胶
 驱动装置: 组合件

Body: Cast iron, spheroidal graphite cast iron, carbon steel, Stainless steel

Disc: Stainless steel, carbon steel core fully covered with fluorine plastic

Stem: Carbon steel, Stainless steel

Seat: PTFE, PCTFE, FEP, PFA

Actuator: Subassembly

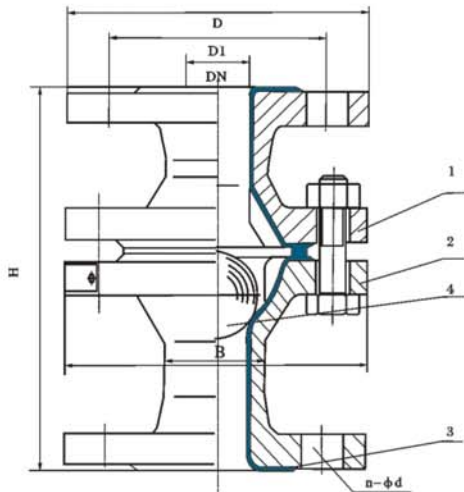
主要外形尺寸及重量 Main dimensions and weight

L长1: 长系列 L长2: 短系列

公称通径 Nominal DN		L长1 mm	L长2 mm	D mm	D1 mm	D2 mm	B mm	n-φ mm	f mm	蜗轮装置 Wormgear actuator		气动装置 Pneumatic actuator		电动装置 Electric actuator	
mm	inch									A(mm)	B(mm)	A(mm)	B(mm)	A(mm)	B(mm)
50	2"	108	108	165	125	102	20	4-18	3	45	120	125	94	162	187
65	2 1/2"	112	112	185	145	122	20	4-18	3	45	120	165	108	162	187
80	3"	114	114	200	160	133	22	8-18	3	45	120	185	128	162	187
100	4"	127	127	220	180	158	22	8-18	3	45	120	185	128	162	187
125	5"	140	140	250	210	184	24	8-18	3	45	120	210	137	162	187
150	6"	140	140	285	240	212	24	8-22	3	66	150	224	160	162	187
200	8"	152	152	340	295	268	26	8-22	3	85	170	295	182	409	513
250	10"	250	165	370	350	320	28	12-22	4	85	170	382	228	409	513
300	12"	276	178	445	400	370	28	12-22	4	106	205	382	228	409	513
350	14"	290	190	505	460	430	30	16-22	4	106	205	440	262	409	513
400	16"	310	216	565	515	482	32	16-26	4	130	240	585	332	409	513
450	18"	330	222	615	565	532	32	20-26	4	155	240	585	332	409	513
500	20"	350	229	670	620	585	34	20-26	4	169	306	585	332	409	513
600	24"	390	267	780	725	685	36	20-30	5	198	324	642	380	409	563
700	28"	430	292	895	840	800	40	24-3	5	220	335	702	438	409	563
800	32"	470	318	1015	950	905	44	24-33	5	241	356	702	438	409	563
900	36"	510	330	1115	1050	1005	46	28-33	5	241	356	1890	440	409	563
1000	40"	550	410	1230	1160	1110	50	28-36	5	241	356	1890	545		

H40W、H40J、H40F₄₆浮球式衬胶、衬氟止回阀
Ball float pattern Lines with rubber, the lining fluorine check valve

TANA



技术规范 Technical specification

设计与制造 Design and manufacture: Gb12235
结构长度 Face to face dimension: Gb12221
法兰连接尺寸 Connection dimension of flange: Gb4216

部件列表 Component list:

1	上阀体	Upper body
2	下阀体	Lower body
3	阀体衬里	Body lining
4	球体	Ball

部件材料 Component Materials:

上阀体: 铸铁、球墨铸铁、碳钢

下阀体: 铸铁、球墨铸铁、碳钢

衬里: 氟塑料、橡胶

球体: 氟塑料、橡胶

Upper body: Cast iron, carbon steel, stainless steel
carbon steel

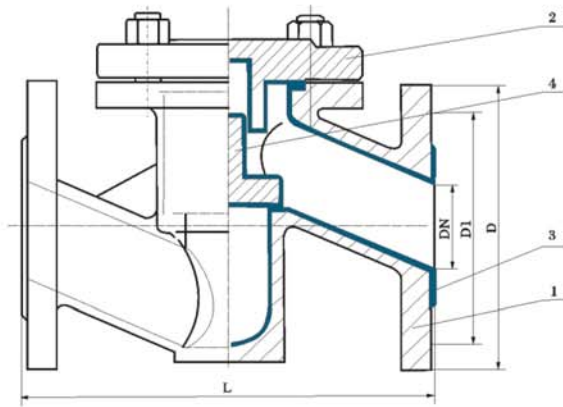
Lower body: Cast iron, carbon steel, stainless steel
carbon steel

Lining: Fluorine plastic, Rubber

Ball: Fluorine plastic, Rubber

主要外形尺寸及重量 Main dimensions and weight

公称通径 Nominal DN		公称压力 Mpa Nominal pressure	工作压力 Mpa Working pressure	L mm	D mm	D1 mm	b mm	N-φd mm	重量 Weight kg/kilos
mm	inch								
15	1/2"	1.0	0.6	150	95	70	95	4-14	4
20	3/4"			150	105	75	100	4-14	4.5
25	1"			152	115	90	125	4-14	6
40	1 1/2"			165	150	105	145	4-18	10
50	2"			178	165	120	165	4-18	13.5
65	2 1/2"			190	185	140	205	8-18	18
80	3"			203	200	150	240	8-18	23.5
100	4"			229	220	175	270	8-18	38
125	5"			325	250	210	286	8-18	60
150	6"			394	285	240	380	8-22	90
200	8"			457	340	295	440	8-22	



技术规范 Technical specification

设计与制造 Design and manufacture: Gb12235
 结构长度 Face to face dimension: Gb12221
 法兰连接尺寸 Connection dimension of flange: GB4216

部件列表 Component list:

1	阀体	Body
2	阀盖	Bonnet
3	阀体衬里	Body lining
4	球瓣	Disc

部件材料 Component Materials:

阀体: 铸铁、球墨铸铁、碳钢
 阀盖: 铸铁、球墨铸铁、碳钢
 衬里: 氟塑料、橡胶
 阀瓣: 氟塑料、橡胶

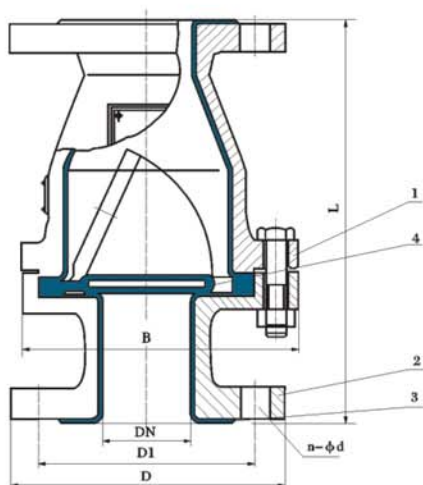
Body: Cast iron, carbon steel, stainless steel carbon steel
 Bonnet: Cast iron, carbon steel, stainless steel carbon steel
 Body lining: Fluorine plastic, Rubber
 Disc: Fluorine plastic, Rubber

主要外形尺寸及重量 Main dimensions and weight

公称通径 Nominal DN		公称压力 Nominal pressure Mpa	工作压力 Working pressure Mpa	L mm	D mm	D1 mm	N-φd mm
mm	inch						
15	1/2"	1.0	1.0	130	95	65	4-13.5
20	3/4"			150	105	75	4-13.5
25	1"			160	115	85	4-13.5
32	1 1/4"			180	135	100	4-17.5
40	1 1/2"			200	145	110	4-17.5
50	2"			230	160	125	4-17.5
65	2 1/2"			290	180	145	4-17.5
80	3"			310	195	160	6/2-17.5
100	4"			350	215	180	6/2-17.5
125	5"			400	245	210	6/2-17.5
150	6"			480	280	240	6/2-22
200	8"			600	335	295	6/2-22
250	10"			730	390	350	10/2-22
300	12"			850	440	400	10/2-22

H44J、H44F₄₆旋启式衬胶、衬氟止回阀
Swing pattern Lines with rubber, the lining fluorine check valve

TANA



技术规范 Technical specification

设计与制造 Design and manufacture: Gb12235
结构长度 Face to face dimension: Gb12221
法兰连接尺寸 Connection dimension of flange: Gb4216

部件列表 Component list:

1	上阀体	Upper Body
2	下阀盖	Lower Bonnet
3	阀体衬里	Body lining
4	球瓣	Disc

部件材料 Component Materials:

上阀体: 铸铁、球墨铸铁、碳钢

下阀体: 铸铁、球墨铸铁、碳钢

衬里: 氟塑料、橡胶

阀瓣: 氟塑料、橡胶

Upper body: Cast iron, carbon steel, stainless steel carbon steel

Lower body: Cast iron, carbon steel, stainless steel carbon steel

Lining: Fluorine plastic, Rubber

Disc: Fluorine plastic, Rubber

主要外形尺寸及重量 Main dimensions and weight

公称通径 Nominal DN		公称压力 Mpa Nominal pressure	工作压力 Mpa Working pressure	L mm	D mm	D1 mm	D2 mm	N-φd mm	B mm	重量 Weight kg/kilos
mm	inch									
20	3/4"	0.6	0.6	160	105	75	59	4-14	128	10
25	1"			160	115	85	68	4-14	128	10.5
32	1 1/4"			200	135	100	78	4-18	150	9
40	1 1/2"			200	150	110	88	4-18	160	10
50	2"			230	165	125	102	4-18	178	13
65	2 1/2"	1.0	1.0	290	180	145	122	4-18	205	19.5
80	3"			310	200	160	133	4-18	230	20.5
100	4"			350	220	180	158	8-18	255	31
125	5"			400	250	210	184	8-18	305	43
150	6"			480	285	240	212	8-22	345	61
200	8"	0.6	0.6	500	340	295	268	8-22	415	95
250	10"			550	395	350	320	12-22	495	145
300	12"			620	445	400	370	12-22	540	208
350	14"			698	505	460	430	16-22	620	285
400	16"			787	565	515	482	16-22	680	385



技术规范 Technical specification

设计与制造 Design and manufacture: Gb12237
 结构长度 Face to face dimension: Gb12221
 法兰连接尺寸 Connection dimension of flange: Gb4216

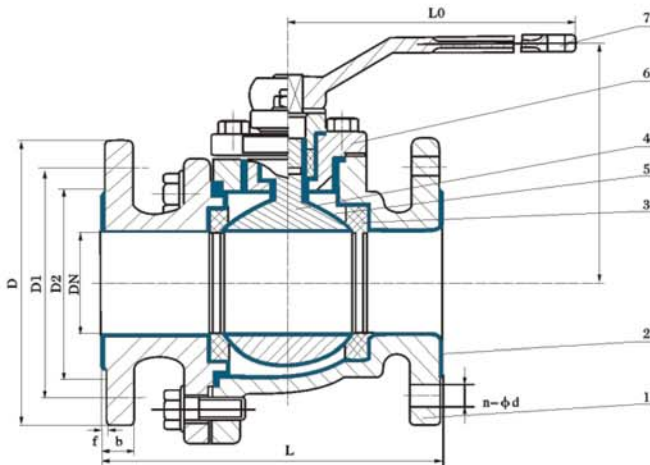
部件列表 Component list:

1	阀体	Body
2	蝶圈	Seat
3	蝶板	Disc
4	四氟圈	PTFE Ring
5	蝶形弹性垫圈	Spring
6	手柄定位板	Locator
7	手柄	Wrench

部件材料 Component Materials:

阀体: 铸铁、碳钢、不锈钢
 球体: 碳钢
 阀体衬里: FEP / PTFE
 球体衬里: FEP / PTFE
 阀体衬里: FEP / PTFE
 密封圈: PTFE
 填料: PTFE
 手柄: 碳钢

Body: Cast iron, carbon steel, stainless steel
 Ball: Carbon steel
 Body lining: FEP / PTFE
 Ball lining: FEP / PTFE
 Sealing: PTFE / PTFE
 Filing: PTFE
 Hand lever: Carbon steel

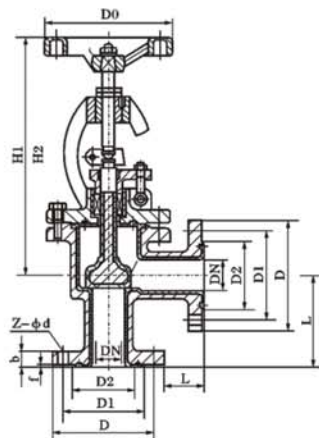
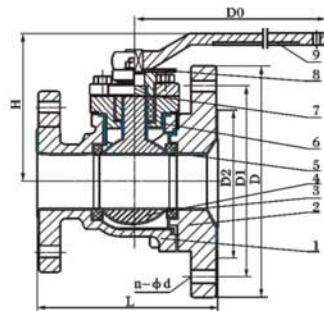


主要外形尺寸及重量 Main dimensions and weight

公称通径 Nominal DN		公称压力 Mpa Nominal pressure	工作压力 Mpa Working pressure	L mm	D mm	D1 mm	D2 mm	b mm	N-φd mm	f mm	H mm	L0 mm	重量 Weight kg/kilos
mm	inch												
15	1/2"	1.0	1.6	130	95	65	45	14	4-13.5	3	95	100	4
20	3/4"			140	105	75	55	16	4-13.5	3	98	160	4.5
25	1"			150	115	85	65	16	4-13.5	3	103	160	4
32	1 1/4"			165	140	100	78	18	4-17.5	3	120	250	7
40	1 1/2"			180	150	110	85	18	4-17.5	3	125	250	9
50	2"			200	165	125	100	20	4-17.5	3	137	350	15
65	2 1/2"			220	185	145	120	20	4-17.5	3	145	350	19
80	3"	1.0	1.0	250	200	160	135	22	4-17.5	3	185	450	30
100	4"			280	220	180	155	24	8-17.5	3	220	450	40
125	5"			320	250	210	185	24	8-17.5	3	230	600	65
150	6"	0.6	0.6	360	285	240	210	26	8-22	3	283	800	85
200	8"			400	340	295	265	28	8-22	4	325	1200	153
250	10"			533	390	350	320	30	12-22	4	378		

QF41F₄₆放料衬氟球阀 Fluorine-lined discharging ball valves
 J44F₄₆角式衬氟截止阀 Angle fluorine-lined globe valves

TANA



技术规范 Technical specification

设计与制造 Design and manufacture: Gb12237
 结构长度 Face to face dimension: GB12221
 法兰连接尺寸 Connection dimension of flange: JB78

部件列表 Component list:

1	阀体	Body
2	端盖	Body endt
3	衬里	Lining
4	球阀板	Ball plate
5	四氟圈	PTFE Ring
6	填料函	Stuffing box
7	压子	Gland
8	定位板	Locator
9	手柄	Lever

部件材料 Component Materials:

阀体: 铸铁、碳钢、不锈钢 Body: Cast iron, carbon steel, stainless steel
 球体: 碳钢 Ball: Carbon steel
 阀体衬里: FEP Body lining: FEP
 球体衬里: FEP Ball lining: FEP
 阀体衬里: FEP Sealing: PTFE
 密封圈: PTFE Filing: PTFE
 填料: PTFE Hand lever: Carbon steel

主要外形尺寸及重量 Main dimensions and weight

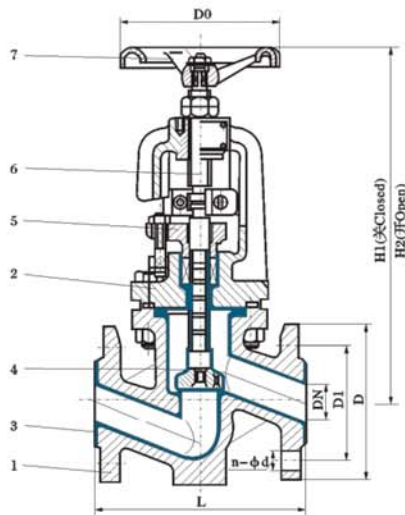
QF41F₄₆

公称通径 Nominal DN		L	D		D1		D2		N-φd		H	D0
mm	inch		PN0.6	PN1.6	PN0.6	PN1.6	PN0.6	PN1.6	PN0.6	PN1.6		
40/65	1 1/2"	130	145/160	145/180	110/130	110/145	85/110	85/120	4-18/4-14	4-18/4-18	110	200
50/80	2"	160	160/185	160/195	125/150	125/160	100/125	100/135	4-18/4-18	4-18/8-18	130	250
50/100	2 1/2"	160	160/205	160/215	125/170	125/180	100/145	100/155	4-18/4-18	4-18/8-18	130	250
50/125	3"	160	160/235	160/245	125/200	125/210	100/175	100/185	4-18/8-18	4-18/8-18	130	250
80/125	4"	200	195/235	195/245	160/200	160/210	135/175	135/185	4-18/8-18	4-18/8-18	184	400
80/150	5"	200	195/260	195/280	160/225	160/240	135/200	135/210	4-18/8-18	4-18/8-23	184	400

主要外形尺寸及重量 Main dimensions and weight

J44F₄₆

公称通径 Nominal DN		标准值 Standard							参考值 Consult			重量 Weight(kg)
mm	inch	L	D	D1	F	b	Z-φd	D0	H1	H2		
PN1.0、1.6MPa												
15	1/2	90	95	65	2	14	4-φ14	100	240	265	7	
20	3/4	95	105	75	2	16	4-φ14	100	245	270	7.5	
25	1	100	115	85	2	16	4-φ14	120	250	275	8	
32	1 1/4	105	135	100	2	18	4-φ18	120	260	290	12	
40	1 1/2	115	145	110	3	18	4-φ18	140	290	325	14	
50	2	125	160	125	3	20	4-φ18	140	300	355	19	
65	2 1/2	145	180	145	3	20	4-φ18	160	355	400	27	
80	3	155	195	160	3	22	4/8-φ18	160	400	450	42	
100	4	175	215	180	3	22	8-φ18	180	455	495	50	
125	5	200	245	210	3	24	8-φ18	180	530	560	64	
150	6	225	280	240	3	24	8-φ23	240	605	650	85	
200	8	275	335	295	3	26	8-φ23	240	650	770	105	
250	10	325	390	350	3	28	12-φ23	280	680	800	135	
300	12	375	440	400	4	28	12-φ23	280	710	835	155	



技术规范 Technical specification

设计与制造 Design and manufacture: GB12235
 结构长度 Face to face dimension: GB12221(Series 1)
 法兰连接尺寸 Connection dimension of flange: GB4216

部件列表 Component list:

1	阀体	Body
2	阀座	Bonnet
3	阀体衬里	Body lining
4	阀瓣	Disc
5	压盖子	Gland
6	阀杆	Stem
7	手轮	Handwheel

部件材料 Component Materials:

阀体: 铸铁、碳钢、不锈钢
 阀盖: 铸铁、碳钢、不锈钢
 衬里: 氟塑料、橡胶
 阀瓣: 碳钢、不锈钢, 完全包覆氟塑料、橡胶
 阀杆: 碳钢、不锈钢, 完全包覆氟塑料、橡胶
 手轮: 铸铁、碳钢

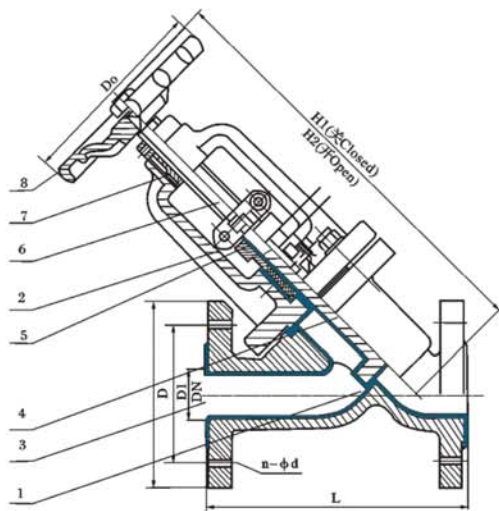
Body: Cast iron, carbon steel, Stainless steel
 Bonnet: Cast iron, carbon steel, Stainless steel
 Lining: Fluorine plastic, Rubber
 Disc: Carbon steel, stainless steel, fully covered with fluorine plastic, Rubber
 Stem: Carbon steel, stainless steel, partially covered with fluorine plastic, Rubber
 Handwheel: Cast iron, carbon steel

主要外形尺寸及重量 Main dimensions and weight

公称通径 Nominal DN		公称压力 Mpa Nominal pressure	工作压力 Mpa Working pressure	L mm	D mm	D1 mm	N-φd mm	H1 mm	H2 mm	D0 mm	重量 Weight kg/kilos
mm	inch										
15	1/2"	1.6	1.6	130	95	65	4-14	225	240	100	4
20	3/4"			150	105	75	4-14	230	250	100	6
25	1"			160	115	85	4-14	264	288	120	8
32	1 1/4"			180	140	100	4-18	272	296	120	10.5
40	1 1/2"			200	150	110	4-18	300	325	140	16.5
50	2"			230	165	125	4-18	321	346	140	18
65	2 1/2"	1.0	1.0	290	185	145	4-18	366	396	160	26
80	3"			310	200	160	6/2-18	400	438	200	36.5
100	4"			350	220	180	6/2-18	476	517	280	58
125	5"			400	250	210	6/2-18	530	560	280	64
150	6"			480	285	240	6/2-22	650	605	320	85
200	8"			495	340	295	6/2-22	650	770	360	155
250	10"	622	405	355	8/4-22	690	810	400	243		
300	12"	698	460	410	8/4-22	730	845	400	295		
350	14"	787	505	460	12/4-22						

J45J/F₄₆ 直流式衬胶、衬氟截止阀
Lines Rubber-lined and fluorine-lined Globe Valve

TANA



技术规范 Technical specification

设计与制造 Design and manufacture: Gb12235
结构长度 Face to face dimension: GB12221(Series 1)
法兰连接尺寸 Connection dimension of flange: GB4216、JB78

部件列表 Component list:

1	阀体	Body
2	阀座	Bonnet
3	阀体衬里	Body lining
4	阀瓣	Disc
5	压盖子	Gland
6	阀杆	Stem
7	螺母	Nut
8	手轮	Handwheel

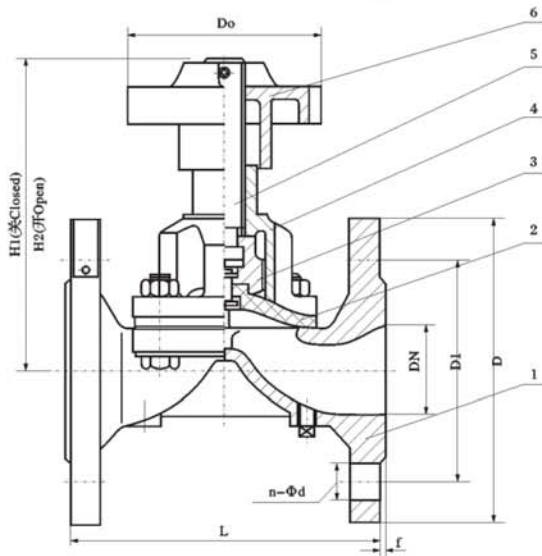
部件材料 Component Materials:

阀体: 铸铁、碳钢、不锈钢
阀盖: 铸铁、碳钢、不锈钢
衬里: 氟塑料、橡胶
阀瓣: 碳钢、不锈钢, 完全包覆氟塑料、橡胶
阀杆: 碳钢、不锈钢, 完全包覆氟塑料、橡胶
电动装置: 组合件

Body: Cast iron, carbon steel, Stainless steel
Bonnet: Cast iron, carbon steel, Stainless steel
Lining: Fluorine plastic, Rubber
Disc: Carbon steel, stainless steel, fully covered with fluorine plastic, Rubber
Stem: Carbon steel, stainless steel, partially covered with fluorine plastic, Rubber
Electric actuator: Assembly

主要外形尺寸及重量 Main dimensions and weight

公称通径 Nominal DN		公称压力 Nominal pressure Mpa	工作压力 Working pressure Mpa	L mm	D mm	D1 mm	N-φd mm	D0 mm	重量 Weight kg/kilos
mm	inch								
25	1"	1.0	1.0	160	100	75	4-12	120	8
32	1 1/4"			200	120	90	4-14	160	12.5
40	1 1/2"			200	130	100	4-14	160	13.5
50	2"			230	140	110	4-18	160	16.5
65	2 1/2"			290	160	130	4-18	180	22
80	3"	0.6	0.6	310	190	150	4-18	200	32
100	4"			350	210	170	8-18	200	38
125	5"			400	240	200	8-18	280	65
150	6"			480	265	225	8-18	280	87
200	8"			600	320	280	12-18	400	145
250	10"			730	375	335			235



技术规范 Technical specification

设计与制造 Design and manufacture: BS5156
 结构长度 Face to face dimension: BS5156
 法兰连接尺寸 Connection dimension of flange: BS4504、
 DIN2532、JIS B2212、ANSI B16.1 ISO2004

部件列表 Component list:

1	阀体	Body
2	隔膜	Diaphragm
3	阀瓣	Disc
4	阀盖	Bonnet
5	阀杆	Stem
6	手轮	Handwheel

部件材料 Component Materials:

阀体: 不锈钢
 阀盖: 不锈钢
 阀瓣: 不锈钢
 食品级隔膜: 无毒橡胶
 手轮: 铸钢、不锈钢

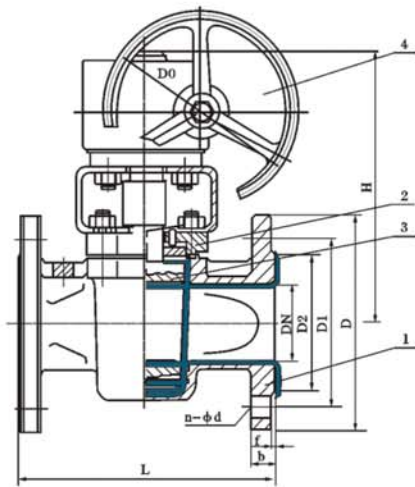
Body: Stainless steel
 Bonnet: Stainless steel
 Disc: Stainless steel
 Food-grade: Innocuous rubber diaphragm
 Stem: Stainless steel
 Handwheel: Cast iron, carbon steel

主要外形尺寸及重量 Main dimensions and weight

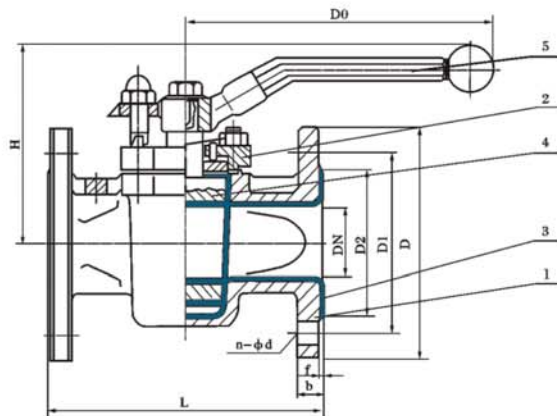
公称通径 Nominal DN		公称压力 Mpa Nominal pressure	工作压力 Mpa Working pressure	L mm	D mm	D1 mm	N-φd mm	F mm	H1 mm	H2 mm	D0 mm	重量 Weight kg/kilos
mm	inch											
15	1/2"	1.6	1.6	108	95	65	4-14	2	84	92	66	2
20	3/4"			117	105	75	4-14	2	93	105	66	3
25	1"			127	115	85	4-14	2	100	112	66	4
32	1 1/4"			146	140	100	4-18	2	127	144	96	6.5
40	1 1/2"			159	150	110	4-18	2	136	156	96	7.5
50	2"			190	165	125	4-18	2	151	177	96	10.5
65	2 1/2"	1.0	1.0	216	185	145	4-18	2	183	213	165	17.5
80	3"			254	200	160	8-18	2	190	230	230	25.5
100	4"			305	220	180	8-18	3	242	285	280	36
125	5"			356	250	210	8-18	3	285	348	280	47.5
150	6"			406	285	240	8-22	3	353	431	368	74
200	8"			521	340	295	8-22	3	445	537	483	143

X343F₄₆、X43F₄₆衬氟旋塞阀 Fluorine lined plug valve

TANA



X343F 半衬 Partially lined



X43F46 全衬 Fully lined

技术规范 Technical specification

设计与制造 Design and manufacture: Gb12240

结构长度 Face to face dimension: Gb12221

法兰连接尺寸 Flange connection : JB78、JB79、GB、HG、SH

部件列表 Component list:

1	阀体	Body
2	阀盖	Bonnet
3	塞子	Plug
4	蜗轮装置	Wormgear actuator
5	阀体	Body
6	阀盖	Bonnet
7	阀体衬里	Body lining
8	塞子	Plug

部件材料 Component Materials:

阀体: 铸铁、不锈钢、超低碳不锈钢

阀盖: 铸铁、碳钢、不锈钢、超低碳不锈钢

衬里: 氟塑料

塞子: 碳钢、不锈钢

手柄: 碳钢

蜗轮装置: 组合件

Body: Cast iron, carbon steel, stainless steel, ultra low carbon stainless steel

Bonnet: Cast iron, carbon steel, stainless steel, ultra low carbon stainless steel

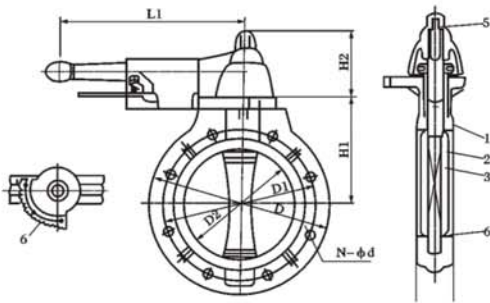
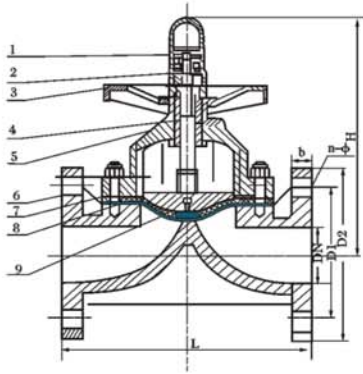
Lining: Fluorine plastic

Plug: Carbon steel, stainless steel

Wormgear: Assembly actuator

主要外形尺寸及重量 Main dimensions and weight

公称通径 Nominal DN	L mm				D mm					D1 mm					D2 mm					n-φd mm					
	0.6	1.0	1.6	2.5	0.6	1.0	1.6	2.5	4.0	0.6	1.0	1.6	2.5	4.0	0.6	1.0	1.6	2.5	4.0	0.6	1.0	1.6	2.5	4.0	
15	1/2	130			140	80	95	95	95	95	55	65	65	65	65	40	45	45	45	46	4-12	4-14	4-14	4-14	4-14
20	3/4	130			152	90	105	105	105	105	65	75	75	75	75	50	55	55	55	56	4-12	4-14	4-14	4-14	4-14
25	1	140			165	100	115	115	115	115	75	85	85	85	85	60	65	65	65	65	4-12	4-14	4-14	4-14	4-14
32	1 1/4	165			178	120	135	135	135	140	90	100	100	100	100	70	78	78	78	76	4-14	4-18	4-18	4-18	4-18
40	1 1/2	165			190	130	145	145	145	150	100	110	110	110	110	80	85	85	85	84	4-14	4-18	4-18	4-18	4-18
50	2	203			216	140	160	160	160	165	110	125	125	125	125	90	100	100	100	99	4-14	4-18	4-18	4-18	4-18
65	2 1/2	222			241	160	180	180	180	185	130	145	145	145	145	110	120	120	120	118	4-14	4-18	4-18	8-18	8-18
80	3	241			283	185	195	195	195	200	150	160	160	160	160	125	135	135	135	132	4-18	4-18	8-18	8-18	8-18
100	4	305			305	205	215	215	230	235	170	180	180	190	190	145	155	155	160	156	4-18	8-18	8-18	8-23	8-22
125	5	356			381	235	245	245	270	270	200	210	210	220	220	175	185	185	188	184	8-18	8-18	8-18	8-25	8-26
150	6	394			403	260	280	280	300	300	225	240	240	250	250	200	210	210	218	211	8-18	8-23	8-23	8-25	8-26
200	8	457			419	315	335	335	360	375	280	295	295	310	320	255	265	365	278	284	8-18	8-23	12-23	12-25	12-30
250	10	533			457	370	390	405	425	450	335	350	355	370	385	310	320	320	332	315	12-18	12-23	12-25	12-30	12-33
300	12	610			502	435	440	460	485	515	395	400	410	430	450	362	368	368	390	409	12-23	12-23	12-25	16-30	16-33
350	14	686			762	485	500	520	550	580	445	460	470	490	510	412	428	428	448	465	12-23	16-23	16-25	16-34	16-36
400	16	762				535	565	580			495	515	525			462	482	482			16-23	16-25	16-30		
450	18	964				590					550					518					16-23				
500	20	914				640					600					568					16-23				



技术规范 Technical specification

设计与制造 Design and manufacture: HG/T2643
 结构长度 Face to face dimension: HG/T2643
 法兰连接尺寸 Flange connection: GB、JIS、DIN、ANSI

部件列表 Component list:

1	指示器 Indicator	6	阀体 Body
2	限位罩 Limit cover	7	垫膜 Flim
3	手轮 Handwheel	8	膜片 Diaphragm
4	阀轮 Stem	9	阀瓣 Disc
5	阀盖 Bonnet		

部件材料 Component Materials:

阀体: RPP、ABS、PVDF、CPVC
 阀盖: RPP、ABS、PVDF、CPVC
 膜片: FEP、PFA、PVDF、PTFE
 垫膜: EPDM IIR
 Body: RPP、ABS、PVDF、CPVC
 Bonnet: RPP、ABS、PVDF、CPVC
 Diaphragm: FEP、PFA、PVDF、PTFE
 Flim: EPDM、IIR

阀瓣: 铸铁、玻璃钢
 阀杆: 钢、不锈钢
 手轮: ABS
 Disc: Cast iron, FRP
 Stem: Steel, Stainless steel
 Handwheel: ABS

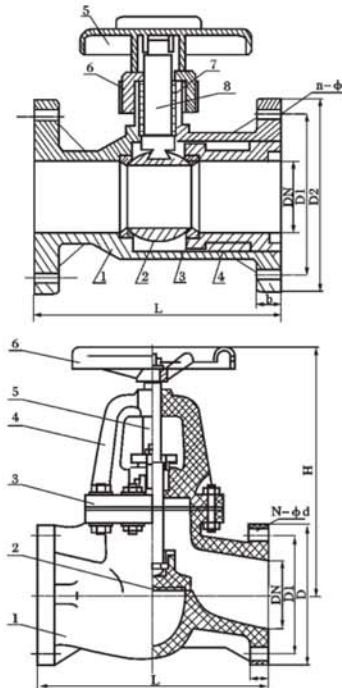
主要外形尺寸及重量 Main dimensions and weight

公称直径 Nominal size		L mm				D mm	D1 mm				b mm	n-φd mm				H mm	重量 Weightkg			
DN	NPS	GB	JIS	DIN	ANSI		GB	JIS	DIN	ANSI		GB	JIS	DIN	ANSI		RPP	PVDF	ABS	CPVC
15	1/2"	125	110	130	4.33	95	65	70	65	2.38	14	4-14	4-15	4-14	4-0.63	125	0.8	1.2	0.8	1
20	3/4"	135	120	150	4.72	105	75	75	75	2.76	16	4-14	4-15	4-14	4-0.63	130	0.9	1.6	0.9	1.3
25	1"	145	130	160	5.12	115	85	90	85	3.13	16	4-14	4-19	4-14	4-0.63	145	1.0	1.8	1.0	1.5
32	1 1/4"	160				135	100				16	4-18				170	1.3	2.4	1.3	2
40	1 1/2"	180	180	200	7.09	145	110	105	110	3.88	16	4-18	4-19	4-18	4-0.63	190	1.8	3	1.8	2.5
50	2"	210	210	230	8.27	160	125	120	125	4.74	18	4-18	4-19	4-18	4-0.75	215	2.5	3.9	2.6	3.2
65	2 1/2"	250	250	290	9.84	180	145	140	140	5.49	22	4-18	4-19	4-18	4-0.75	280	5	7.8	5.1	6.5
80	3"	300	280	210	11.02	195	160	150	150	6.00	25	8-18	8-19	8-18	8-0.75	300	6.1	8.9	6.2	7.5
100	4"	350	340	350	13.39	215	180	175	175	7.50	25	8-18	8-19	8-18	8-0.75	340	9.7	15	9.9	12.6
125	5"	400	410	400	16.14	245	210	210	210	8.50	30	8-18	8-23	8-18	8-0.87	420	13.5	21	13.8	17.6
150	6"	460	480	480	18.90	280	240	240	240	9.51	30	8-23	8-23	8-23	8-0.87	480	25	37	25.5	31
200	8"	570	570	600	22.14	335	295	290	290	11.75	35	8-23	8-23	8-23	8-0.87	625	36.5	56	37.2	47
250	10"	680	680	730	26.77	390	350	400	400	15.98	38	12-23	12-23	12-23	12-0.98	776	5	96	52	60

公称直径 Nominal size		工作压力 Working pressure MPa	L	L1	D	D1				D2	n-φd	H1	H2	重量 Weightkg	
DN	NPS					GB	JIS	DIN	ANSI					RPP	PVDF
40	1/2	0.6	39	200	150	110	105	110	3.88	47	4-18	86	70	1.2	1.5
50	2	0.6	40	220	160	125	120	125	4.75	56	4-18	88	70	1.3	1.6
65	2 1/2	0.6	46	220	185	145	140	145	5.50	71	4-18	100	70	1.7	2.0
80	3	0.6	46	280	195	160	150	160	6.00	85	8-18	105	85	2.3	2.7
100	4	0.6	54	280	215	180	175	180	7.50	105	8-18	118	85	4	4.8
125	5	0.4	70	300	250	210	210	210	8.50	131	8-18	163	93	4.8	5.7
150	6	0.4	74	300	285	240	240	240	9.50	153	8-22	176	93	5.5	6.5
200	8	0.4	87	180	340	295	290	295	11.75	204	12-22	210	93	19	22
250	10	0.3	114	180	395	350	355	350	14.25	255	12-22	240	93	28	32
300	12	0.3	114	180	445	400	400	400	17.00	307	12-22	270	93	34	39
350	14	0.3	127	180	505	460	445	460	18.75	358	16-22	300	93	52	59
400	16	0.3	140	240	580	515	510	515	21.25	389	16-22	350	108	78	89
450	18	0.2	152	240	615	565	565	565	22.75	446	20-26	370	108	76	84
500	20	0.2	152	260	670	620	620	620	25.00	494	20-26	400	108	84	96
600	24	0.2	178	260	780	725	730	725	29.50	590	20-30	465	108	105	112

J41F-6/10(S/F)截止阀 Globe Valve
Q41F-10(S/F)单体型球阀 Bodily Form Ball Valve

TANA



技术规范 Technical specification

设计与制造 Design and manufacture: HG/T2643
结构长度 Face to face dimension: HG/T2643
法兰连接尺寸 Flange connection: GB、JIS、DIN、ANSI

部件列表 Component list:

1	阀体 Body	4	支架 Bracket
2	密封 Seal	5	阀杆 Stem
3	阀盖 Bonnet	6	手轮 Handwheel

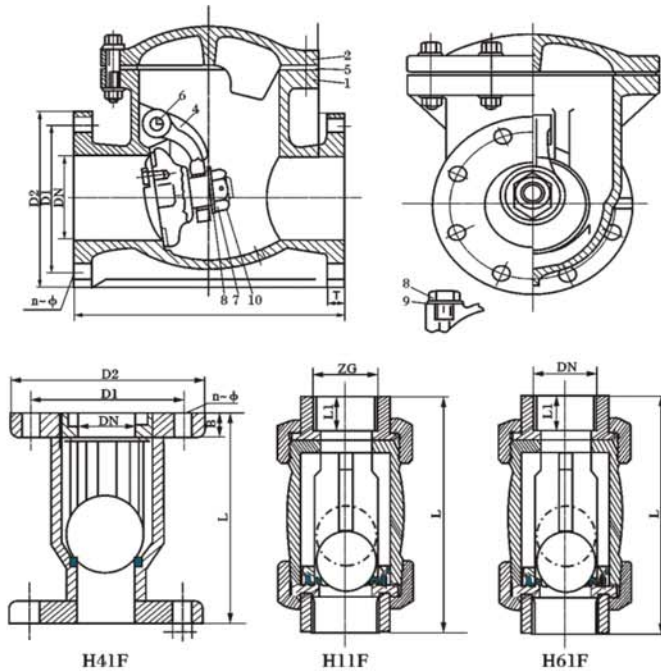
部件材料 Component Materials:

阀体: RPP、ABS、PVDF、CPVC
球: RPP、ABS、PVDF、CPVC
密封圈: PTFE
内塞: RPP、ABS、PVDF、CPVC
阀杆: RPP、ABS、PVDF、CPVC
手轮: ABS
Body: RPP, ABS, PVDF, CPVC
Ball: RPP, ABS, PVDF, CPVC
Seal ring: PTFE
Inner plug: RPP, ABS, PVDF, CPVC
Stem: RPP, ABS, PVDF, CPVC
Stem: Steel, Stainless steel
Handwheel: ABS

主要外形尺寸及重量 Main dimensions and weight

公称直径 Nominal size		工作压力 MPa Working pressure		L	D	D1				b	n-φd				重量 Weight kg	
DN	NPS	RPP	PVDF			GB	JIS	DIN	ANSI		GB	JIS	DIN	ANSI	RPP	PVDF
15	1/2"	1	1.2	110	95	65	70	65	2.38	14	4-14	4-15	4-14	4-0.63	0.6	0.4
20	3/4"	1	1.2	120	105	75	75	75	2.76	16	4-14	4-15	4-14	4-0.63	0.7	0.5
25	1"	1	1.2	140	115	85	90	85	3.13	16	4-14	4-19	4-14	4-0.63	1	0.6
32	1 1/4"	1	1.2	160	135	100				16	4-18				1.3	0.8
40	1 1/2"	1	1.2	160	145	110	105	110	3.88	16	4-18	4-19	4-18	4-0.63	1.8	1
50	2"	1	1.2	180	160	125	120	125	4.74	18	4-18	4-19	4-18	4-0.75	2.3	1.3
65	2 1/2"	1	1.2	220	180	145	140	145	5.49	22	4-18	4-19	4-18	4-0.75	3.5	2
80	3"	1	1.2	250	195	160	150	160	6.00	25	4-18	4-19	4-18	4-0.75	4.1	2.4
100	4"	1	1.2	280	215	180	175	180	7.50	25	8-18	8-19	8-18	8-0.75	5.9	3.4
125	5"	0.8	1	320	245	210	210	210	8.50	30	8-18	8-19	8-18	8-0.87	9.2	5.3
150	6"	0.8	1	360	280	240	240	240	9.51	30	8-23	8-23	8-23	8-0.87	11.7	6.7
200	8"	0.8	0.8	400	335	295	290	295	11.75	35	8-23	12-23	8-23	8-0.87	17	9.5

公称直径 Nominal size		工作压力 Working pressure MPa	L	D	D1	b	n-φd	H	重量 Weight kg	
DN	NPS								RPP	PVDF
25	1"	0.6	160	115	85	16	4-14	200	0.97	1.6
32	1 1/4"	0.6	180	140	100	16	4-18	220	1.25	2.1
40	1 1/2"	0.6	200	150	110	18	4-18	250	1.60	2.7
50	2"	0.6	230	165	125	18	4-18	275	2.4	4.1
65	2 1/2"	0.6	390	185	145	22	4-18	350	4.5	7.6
80	3"	0.6	310	200	160	25	8-18	390	5.6	9.5
100	4"	0.5	350	220	180	25	8-18	400	8.8	15
125	6"	0.5	400	250	210	30	8-18	410	12.5	20
150	8"	0.4	480	285	240	30	8-23	430	16	25
200	12"	0.4	600	340	295	35	12-23	480	18	30



技术规范 Technical specification

设计与制造 Design and manufacture: HG/T2643
 结构长度 Face to face dimension: HG/T2643
 法兰连接尺寸 Flange connection: GB、JIS、DIN、ANSI

部件列表 Component list:

1	阀体 Body	6	轴心 idm
2	阀盖 Bonnet	7	螺帽 Nut
3	活板 Moving board	8	填片 Packing
4	摆动肩 Swing axle	9	螺帽 Nut
5	上盖密封 Back seal	10	固定梢 Pin

部件材料 Component Materials:

阀体: RPP、PVDF
 阀盖: RPP、PVDF
 活板: RPP、PVDF
 摆动肩: RPP、PVDF
 上盖密封: PTEE、PVDF、RPP
 轴心: RPP、PVDF
 Body: RPP, PVDF
 Bonnet: RPP, PVDF
 Moving board: RPP, PVDF
 Swing axle: RPP, PVDF
 Back seal: BPTEE, PVDF, RPP
 Idm: RPP, PVDF

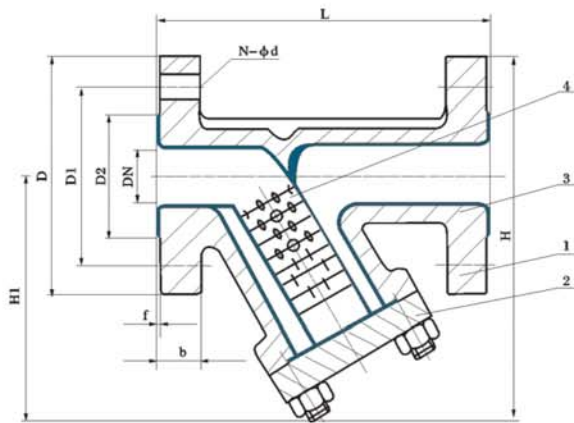
主要外形尺寸及重量 Main dimensions and weight

公称直径 Nominal size		工作压力 MPa Working pressure		L		D			D1			b			n-φ d		
DN	NPS	RPP	PVDF	JIN/DIN	ANSI	JIN	DIN	ANSI	JIN	DIN	ANSI	JIN	DIN	ANSI	JIN	DIN	ANSI
20	3/4"	0.7	0.6	140	5.51	100	105	3.86	75	75	2.76	15	15	0.59	4-15	4-14	4-0.63
25	1"	0.7	0.6	160	6.30	125	115	4.25	90	85	3.13	16	16	0.63	4-19	4-14	4-0.63
40	1 1/2"	0.7	0.6	180	7.09	140	150	5.00	105	110	3.88	18	18	0.71	4-19	4-18	4-0.63
50	2"	0.7	0.6	200	7.87	155	165	5.98	120	125	4.74	21	21	0.82	4-19	4-18	4-0.75
65	2 1/2"	0.7	0.6	240	9.45	175	185	7.01	140	145	5.49	23	23	0.90	4-19	4-18	4-0.75
80	3"	0.7	0.6	260	10.24	185	200	7.52	150	160	6.00	25	25	0.98	8-19	8-18	4-0.75
100	4"	0.5	0.5	300	11.81	210	220	9.02	175	180	7.50	26	26	1.02	8-19	8-18	8-0.75
125	5"	0.5	0.5	350	13.78	250	250	10.00	210	210	8.50	27	27	1.06	8-23	8-18	8-0.87
150	6"	0.5	0.4	400	15.75	280	280	10.98	240	240	9.51	27	27	1.06	8-23	8-23	8-0.87
200	8"	0.5	0.4	500	19.69	330	340	13.50	290	295	11.75	34	34	1.34	12-23	8-23	8-0.87

公称直径 Nominal size		工作压力 Working pressure MPa	法兰式 Flange type						螺口式 Screw type			公称直径 Nominal size DN	工作压力 Working pressure MPa	承插式 Socket type	
DN	NPS		L	D	D1	b	n-φ d	ZG	L	L1	L			L1	
15	1/2"	0.6	168	95	65	14	4-14	ZG1/2	140	15	20	0.6	140	15	
20	3/4"	0.6	182	105	75	14	4-14	ZG3/4	168	17	25	0.6	168	17	
25	1"	0.6	196	115	85	16	4-14	ZG1	189	20	32	0.6	189	20	
32	1 1/4"	0.6	224	135	100	17	4-18	ZG1 1/4	210	23	40	0.6	210	23	
40	1 1/2"	0.6	224	145	110	18	4-18	ZG1 1/2	238	25	50	0.6	238	25	
50	2"	0.6	252	160	125	20	4-18	ZG2	280	28	63	0.6	280	28	
65	2 1/2"	0.6	308	180	140	22	4-18	ZG2 1/2	301	32	75	0.6	301	32	
80	3"	0.6	350	195	160	25	4-18	ZG3	371	32	90	0.6	371	32	
100	4"	0.6	392	215	180	25	8-18	ZG4	504	45	110	0.6	504	45	
125	5"	0.5	448	245	210	30	8-18								
150	6"	0.4	504	280	240	30	8-23								
200	8"	0.4	560	335	295	35	8-23								

GL41J/F₄₆-10C 衬胶、衬氟过滤器 Rubber-lined and fluorine-lined Strainer

TANA



技术规范 Technical specification

设计与制造 Design and manufacture:HG/T21562
 结构长度 Face to face dimension:GB 12221(Series of long structure)
 法兰连接尺寸 Flange connection:JB78、JB79、HG5010、ANSIB16.5、JIS2212

部件列表 Component list:

1	阀体	Body
2	阀盖	Bonnet
3	阀体衬里	Body lining
4	过滤网	Strainer

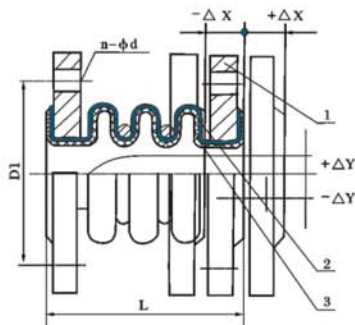
部件材料 Component Materials:

阀体: 铸铁、碳钢
 阀盖: 铸铁、碳钢
 衬里: 氟塑料、橡胶
 过滤网: PTFE、不锈钢
 螺栓: 碳钢
 螺母: 碳钢
 Body: Cast iron, carbon steel
 Bonnet: Cast iron, carbon steel
 Lining: FEP, PCTFE
 Strainer: PTFE
 Bolt: Carbon steel
 Nut: Carbon steel

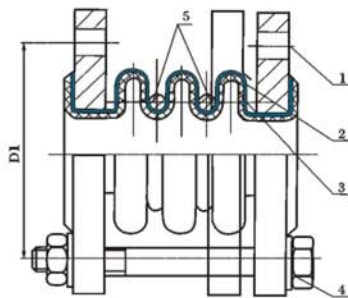
主要外形尺寸及重量 Main dimensions and weight

公称通径 Nominal DN		L (mm)	D (mm)	D1 (mm)	D2 (mm)	b (mm)	n-φd (mm)	f (mm)	H1 (mm)	H (mm)	重量 Weight kg/kilos
mm	inch										
20	3/4"	150	105	75	65	16	4-14	2	70	122	3.3
25	1"	160	115	85	55	16	4-14	2	78	135	4.2
32	1 1/4"	190	135	100	78	18	4-18	2	86	154	6.6
40	1 1/2"	200	145	110	385	18	4-18	3	92	164	7.3
50	2"	230	160	125	100	20	4-18	3	102	182	12
65	2 1/2"	250	180	145	120	20	4-18	3	115	205	16
80	3"	280	195	160	135	22	8-18	3	135	232	23
100	4"	320	215	180	155	24	8-18	3	156	263	32
125	5"	400	245	210	185	26	8-18	3	248	370	39
150	6"	500	280	240	210	28	8-23	3	285	425	52
200	8"	600	335	295	265	30	8-23	3	362	530	89

注: 此表系JB78 PNMPa法兰连接尺寸标准。
 Notes: It is JB78 PN1.6MPa standard of the flange connection in this table.



增强波纹补偿器 Reinforcing bellows expansion joint



波纹补偿器 Bellows expansion joint

技术规范 Technical specification

设计与制造 Design and manufacture: HG/T21562
 结构长度 Face to face dimension: GB 12221 (Series of long structure)
 法兰连接尺寸 Flange connection: JB78、JB79、HG5010、ANSIB16.5、JIS2212

部件列表 Component list:

1	连接法兰	Connecting flange
2	波纹管	Bellows expansion joint
3	衬里	Lining
4	导棒	Guide stick
5	加强圈	Tightening ring

部件材料 Component Materials:

波纹管: 不锈钢
 法兰: 碳钢、不锈钢
 螺栓: 碳钢、不锈钢
 螺母: 碳钢、不锈钢
 衬里: 氟塑料

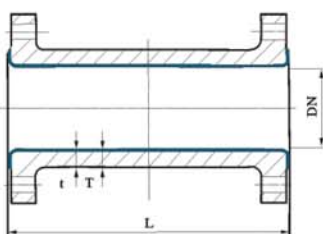
Bellows expansion: Stainless steel
 Joint
 Flange: Carbon steel, stainless steel
 Bolt: Carbon steel, stainless steel
 Nut: Carbon steel, stainless steel
 Lining: Fluorine plastic

主要外形尺寸及重量 Main dimensions and weight

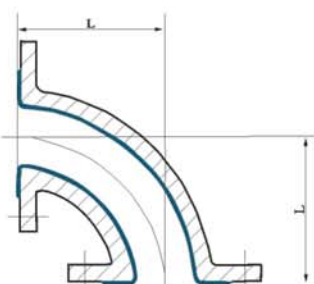
公称通径 Nominal DN		公称压力 Nominal pressure Mpa	L(mm)	±ΔX(mm)	±ΔX(mm)	A(mm)	D1(mm)	N-φd(mm)	重量 Weight kg/kilos	
mm	inch									
40	1 1/2	1.6	190	3.5	1.5	14	110	4-18	6.9	
50	2		210	4.5	1.5	12	125	4-18	9.2	
65	2 1/2		225	5	1.5	10	145	4-18	12.5	
80	3		235	6	2	12	160	8-18	16.2	
100	4		300	4.6	1.8	5	180	8-18	19	
150	6		300	4.4	1.6	5	240	8-23	28	
200	8		400	8	1.2	5	295	12-23	38	
250	10		400	7.5	1	5	355	12-25	58	
300	12		450	8	1	5	410	12-25	76	
350	14		450	8	1	5	470	16-25	96	
400	16		450	8	0.8	4	525	16-30	118	
450	18		450	8	0.7	3.5	585	20-30	144	
500	20		500	8	0.7	3.2	650	20-34	204	
600	24		600	13	1.8	4	770	20-41	263	
700	28	0.6	600	24	1.6	7.2	810	24-25	173	
800	32		600	24	2.2	6	920	24-30	212	
900	36		700	23	1.9	5.2	1020	24-30	265	
1000	40		700	22	1.6	4.8	1120	28-30	306	
1200	48		700	38	2.4	6.6	1320	32-30	383	
1400	56		0.25	700	37	2	5.6	1520	36-30	445
1600	64			700	36	1.7	4.8	1730	40-30	526

注: 此表系JB78 法兰连接尺寸标准。

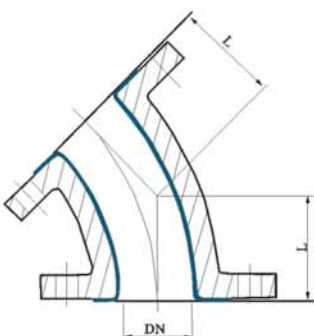
Notes: It is JB78 standard of the flange connection in this table.



管子 Pipe



90° 弯头 Elbow



30°、45° 弯头 Elbow

技术规范 Technical specification

设计与制造 Design and manufacture: HG/T21562、HG21501
法兰连接尺寸 Flange connection: JB78、Jb79、Hg5010、ANSIB16.5、JIS2212

部件材料 Component Materials:

管子: 碳钢 Pipe: Carbon steel
法兰: 碳钢 Flange: Carbon steel
弯头: 碳钢 Elbow: Carbon steel
衬里: 氟塑料、P0、橡胶 Lining: Fluorine plastic, po, Rubber

主要外形尺寸及重量 Main dimensions and weight

公称通径 Nominal size		L mm	钢管壁厚 Wall thickness T (mm)	衬里厚度 Lining thickness T (mm)	单位重量 Unit weight kg/kilos//m
DN	NPS				
25	1	100~1000	3	2	4.7
32	1 1/4		3	2	6.1
40	1 1/2		3.5	2	7.5
50	2	150~3000	4	2	10.4
65	2 1/2		4	2.2	14.7
80	3		4.5	2.2	16.7
100	4	200~5000	4.5	2.2	21.1
125	5		4.5	2.5	27.4
150	6		5	2.5	35.4
200	8		6	2.5	55
250	10		7	2.5	88.2
300	12		8	2.5	104.5

公称通径 Nominal size		L mm	钢管壁厚 Wall thickness T (mm)	衬里厚度 Lining thickness T (mm)	单位重量 Unit weight kg/kilos//m
DN	NPS				
25	1	98	3	2	2.7
32	1 1/4	108	3	2	3.2
40	1 1/2	115	3.5	2	4.3
50	2	125	4	2	5.7
65	2 1/2	137	4	2.2	6.8
80	3	144	4.5	2.2	7.3
100	4	156	4.5	2.2	9.1
125	5	173	4.5	2.5	12.6
150	6	191	5	2.5	18.5
200	8	220	6	2.5	26.4
250	10	257	7	2.5	36.2
300	12	285	8	2.5	46.6

公称通径 Nominal size		L mm	钢管壁厚 Wall thickness T (mm)	衬里厚度 Lining thickness T (mm)	单位重量 Unit weight kg/kilos//m
DN	NPS				
25	1	62	3	2	2.5
32	1 1/4	65	3	2	3.4
40	1 1/2	63	3.5	2	3.6
50	2	64	4	2	4.3
65	2 1/2	71	4	2.2	6.1
80	3	74	4.5	2.2	6.37
100	4	85	4.5	2.2	8.3
125	5	105	4.5	2.5	12.5
150	6	123	5	2.5	17.3
200	8	158	6	2.5	25.8
250	10	195	7	2.5	41.7
300	12	226	8	2.5	49.1