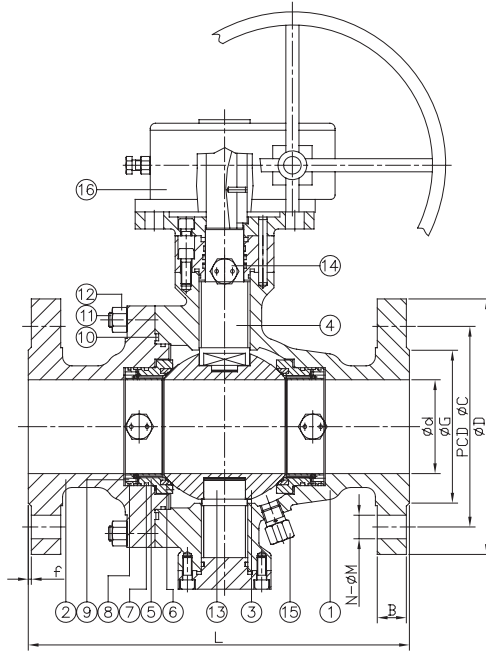




# FLANGED END TRUNNION BALL VALVE



## FEATURES

- Full port, 2"~20" (DN50~DN500)
- W.P. : PN 16/40  
CLASS 150/300/600/900
- W.T. : -20°C~200°C (-4°F~392°F)
- Investment casting
- Blow-out proof stem
- Anti-static device
- ISO 5211 Direct mounting pad

- Flange dimension:  
ASME B16.5 CLASS 150/300/600  
EN 1092-1

- Face to face:  
ASME B16.10 CLASS 150/300/600  
DIN 2501

ITEM	PARTS	MATERIAL	
1	BODY	ASTM A351-CF8M	ASTM A216-WCB
2	CAP		
3	BALL	ASTM A182-F316	ASTM A105+ENP
4	STEM		ASTM A182-F6a
5	SEAT RETAINER	SS 316	ASTM A105+ENP
6	SEAT RING	RTFE	
7	O-RING	VITON	
8	FIRE SAFE RING	KNIT-GRAPHITE	
9	SPRING	INCONEL X 750	
10	GASKET	SS 316+GRAPHITE	
11	STUD	ASTM A193-B8M	ASTM A193-B7
12	HEX NUT	ASTM A194-8M	ASTM A194-2H
13	DOWN STEM	ASTM A182-F316	ASTM A182-F6a
14	INJECTION	316	AISI 1025+Zn
15	VENT VALVE		
16	GEAR BOX		

**CLASS 150/300 ONLY, OTHER PRESSURE RATING PLEASE CONTACT US.**

DN	d	CLASS 150									CLASS 300								
		L	D	C	G	B	f	N	M	L	D	C	G	B	f	N	M		
100	100	-	-	-	-	-	-	-	-	-	305	255	200	157.2	30.2	2	8	22	
150	150	394	280	241.3	215.9	23.9	2	8	22	403	320	269.9	215.9	35	2	12	22		
200	201	457	345	298.5	269.9	27	2	8	22	502	380	330.2	269.9	39.7	2	12	25.4		
250	252	533	405	362	323.8	28.6	2	12	25.4	568	445	387.4	323.8	46.1	2	16	28		
300	303	610	485	431.8	381	30.2	2	12	25.4	648	520	450.8	381	49.3	2	16	32		
350	334	686	535	476.3	412.8	33.4	2	12	28.6	762	585	514.4	412.8	52.4	2	20	32		
400	385	762	595	539.8	469.9	35	2	16	28.6	838	650	571.5	469.9	55.6	2	20	35		
450	436	864	635	577.9	533.4	38.1	2	16	32	914	710	628.6	533.4	58.8	2	24	35		
500	487	914	700	635	584.2	41.3	2	20	32	991	775	685.8	584.2	62	2	24	35		

unit:mm

NPS	d	CLASS 150									CLASS 300								
		L	D	C	G	B	f	N	M	L	D	C	G	B	f	N	M		
4"	3.94	-	-	-	-	-	-	-	-	-	12.01	10.04	7.87	6.19	1.19	0.08	8	0.87	
6"	5.91	15.51	11.02	9.5	8.5	0.94	0.08	8	0.87	15.87	12.6	10.63	8.5	1.38	0.08	12	0.87		
8"	7.91	17.99	13.58	11.75	10.63	1.06	0.08	8	0.87	19.76	14.96	13	10.63	1.56	0.08	12	1		
10"	9.92	20.98	15.94	14.25	12.75	1.13	0.08	12	1	22.36	17.52	15.25	12.75	1.81	0.08	16	1.1		
12"	11.93	24.02	19.09	17	15	1.19	0.08	12	1	25.51	20.47	17.75	15	1.94	0.08	16	1.26		
14"	13.15	27.01	21.06	18.75	16.25	1.31	0.08	12	1.13	30	23.03	20.25	16.25	2.06	0.08	20	1.26		
16"	15.16	30	23.43	21.25	18.5	1.38	0.08	16	1.13	32.99	25.59	22.5	18.5	2.19	0.08	20	1.38		
18"	17.17	34.02	25	22.75	21	1.5	0.08	16	1.26	35.98	27.95	24.75	21	2.31	0.08	24	1.38		
20"	19.17	35.98	27.56	25	23	1.63	0.08	20	1.26	39.02	30.51	27	23	2.44	0.08	24	1.38		

unit:in

Add:Shacheng Industrial Park ,Longwan District,Wenzhou City 325025,  
ZheJiang Province,China

Tel/Fax: +86-577-8986-3679 Mobile : +86 189 5773 1879

<http://www.cncxvalve.com>

Email:sales@cncxvalve.com